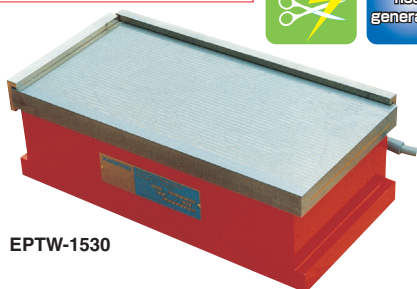
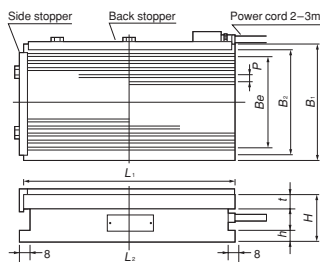


Model EPTW PERMANENT ELECTROMAGNETIC MICROPITCH CHUCK

Chuck controller required additionally



EPTW-1530



[Application]

Suitable for precision grinding on grinders and for holding thin and thick workpieces having a large area.

[Features]

- Thanks to finer pole pitches on the chuck work face, these chucks hold thin and wide workpieces firmly.
- Since electricity is supplied momentarily only to control the magnetomotive force when mounting/demounting a workpiece, little heat is generated internally to maintain accuracy.
- Since electricity needs not be supplied continuously even while holding a workpiece, the running cost is very low.
- Since the holding power is maintained in the event of power failure and cable breakage, safety is secured.

[mm (in.)]

Model	Nominal Size	Work Face				Pole Pitch P	Mounting Face			Height H	Voltage	Power Cord	Mass	Electro Chuck Master
		B ₁	L ₁	t	B _e		B ₂	L ₂	h					
EPTW-1530	150 (5.90) × 300 (11.8)	150 (5.90)	300 (11.8)	20	125 (4.92)	4 (0.8+3.2) 0.15 (0.03+0.12)	148 (5.82)	300 (11.8)	18	95 (3.74)	2m (78.7)	29kg/ 63 lb	EPS-215B	
EPTW-1545	150 (5.90) × 450 (17.7)		450 (17.7)	(0.78)				450 (17.7)	450 (17.7)			18		44kg/ 97 lb
EPTW-2040	200 (7.87) × 400 (15.7)	200 (7.87)	400 (15.7)	25 (0.98)	173 (6.81)	198 (7.79)	400 (15.7)	20 (0.78)	120 (4.72)	3m (118)	65kg/143 lb			
EPTW-2050	200 (7.87) × 500 (19.6)		500 (19.6)				500 (19.6)				500 (19.6)	20		82kg/180 lb
EPTW-2560	250 (9.84) × 600 (23.6)	250 (9.84)	600 (23.6)	217 (8.54)	248 (9.76)	298 (11.7)	600 (23.6)	123kg/271 lb						
EPTW-3060	300 (11.8) × 600 (23.6)	300 (11.8)	269 (10.5)	269 (10.5)	298 (11.7)	298 (11.7)	600 (23.6)	147kg/324 lb						

※The chuck controller and clamp parts are not included. ※The KANETEC chucks work best when a KANETEC chuck controller is used.
 ※Turning the permanent electromagnetic chucks on and off must be limited to once per several minutes. If on/off operations are repeated frequently, the chucks may be damaged by overheat.

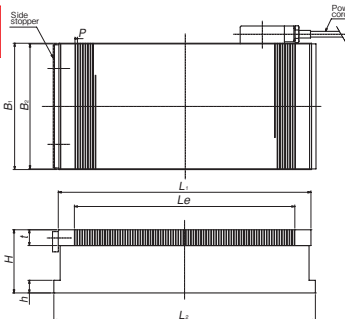
Model EPTW-N PERMANENT ELECTROMAGNETIC MICROPITCH CHUCK



Chuck controller required additionally



EPTW-N2040



[Application]

Suitable for grinding of thin and small workpieces.

[Features]

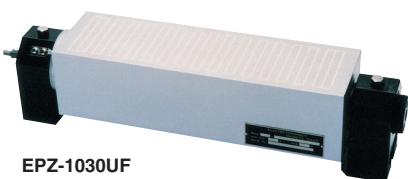
- Generates strong holding power on workpieces of □25 mm and larger.
- Instead of the conventional magnetic pole longitudinal patterns, the transverse magnetic pole patterns are used.
- A resin-bonded structural face plate having little environmental burden is employed.

[mm (in.)]

Model	Nominal Size	Work Face				Pole Pitch P	Mounting Face			Height H	Voltage	Power Cord	Mass	Electro Chuck Master
		B ₁	L ₁	t	L _e		B ₂	L ₂	h					
EPTW-N1530	150 (5.90) × 300 (11.8)	150 (5.90)	300 (11.8)	25 (0.98)	261 (10.2)	4 (1+3) 0.15 (0.04+0.11)	148 (5.82)	314 (12.3)	20 (0.78)	100 (3.93)	2m (78.7)	30kg/ 66 lb	EPS-W215B	
EPTW-N1545	150 (5.90) × 450 (17.7)		450 (17.7)		397 (15.6)			464 (18.2)				464 (18.2)		20
EPTW-N2040	200 (7.87) × 400 (15.7)	200 (7.87)	400 (15.7)	349 (13.7)	198 (7.79)	414 (16.2)	514 (20.2)	614 (24.1)	110 (4.33)	3m (118)	52kg/114 lb			
EPTW-N2050	200 (7.87) × 500 (19.6)		500 (19.6)	449 (17.6)							514 (20.2)	614 (24.1)		65kg/143 lb
EPTW-N2560	250 (9.84) × 600 (23.6)	250 (9.84)	600 (23.6)	549 (21.6)	246 (9.68)	296 (11.6)	614 (24.1)	107kg/235 lb						
EPTW-N3060	300 (11.8) × 600 (23.6)	300 (11.8)	549 (21.6)	549 (21.6)	296 (11.6)	296 (11.6)	614 (24.1)	128kg/282 lb						

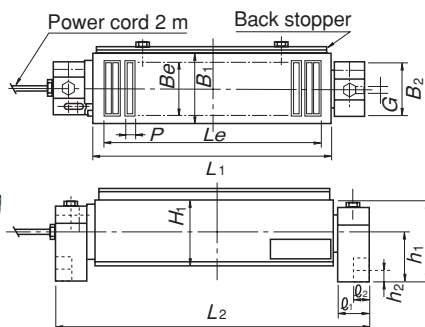
※The chuck controller and clamp parts are not included. ※The KANETEC chucks work best when a KANETEC chuck controller is used.
 ※Turning the permanent electromagnetic chucks on and off must be limited to once per several minutes. If on/off operations are repeated frequently, the chucks may be damaged by overheat.

Model EPZ-U TILT TYPE PERMANENT ELECTROMAGNETIC CHUCK



EPZ-1030UF

Chuck controller required additionally



[Application]

Suitable for angle grinding on grinders. Easy to install.

[Features]

- The rotary shaft with scale facilitates angle setting. (An angle can be set as desired in a range of 90° forward and 90° backward.)
- Since electricity is supplied momentarily only to control the magnetomotive force when mounting/demounting a workpiece, little heat is generated internally to enable highly precise machining.
- Since electricity needs not be supplied continuously even while holding a workpiece, the running cost is very low.
- Since the holding power is maintained in the event of power failure and cable breakage, safety is secured.
- A resin-bonded structural face plate having little environmental burden is employed.

[mm (in.)]

Model	Nominal Size	Work Face				Pole Pitch P	Tilt Base				Length L ₂	Height H ₂	Voltage	Mass	Electro Chuck Master	
		B ₁	L ₁	B _e	L _e		B ₂	ℓ ₁	ℓ ₂	G						
EPZ-1025UF	100 (3.93) × 250 (9.84)	100 (3.93)	250 (9.84)	78 (3.07)	211 (8.30)	11 (2+9) 0.43 (0.07+0.35)	100	50	29	14	80 (3.15)	15 (0.59)	368 (14.4)	130 (5.11)	22kg/ 48 lb	EPS-215B
EPZ-1030UF	100 (3.93) × 300 (11.8)			255 (10.0)	255 (10.0)											
EPZ-1230UF	120 (4.72) × 300 (11.8)	120 (4.72)	300 (11.8)	96 (3.78)	240 (9.44)	14 (2+12) 0.55 (0.07+0.47)	100 (3.93)	50 (1.96)	29 (1.14)	14 (0.55)	95 (3.74)	418 (16.4)	145 (5.70)	30kg/ 66 lb		
EPZ-1530UF	150 (5.90) × 300 (11.8)	150 (5.90)	300 (11.8)	120 (4.72)	408 (16.0)	14 (2+12) 0.55 (0.07+0.47)	100 (3.93)	50 (1.96)	29 (1.14)	14 (0.55)	95 (3.74)	418 (16.4)	145 (5.70)	37kg/ 81 lb		
EPZ-1545UF	150 (5.90) × 450 (17.7)			450 (17.7)										120 (4.72)	408 (16.0)	

※The chuck controller and clamp parts are not included. ※The KANETEC chucks work best when a KANETEC chuck controller is used.
 ※Turning the permanent electromagnetic chucks on and off must be limited to once per several minutes. If on/off operations are repeated frequently, the chucks may be damaged by overheat.

ELECTROMAGNETIC CHUCKS
CHUCK CONTROLLERS
MAGNETIC CHUCKS
PERMANENT ELECTROMAGNETIC CHUCKS
BLOCKS FOR MC
VACUUM CHUCKS
PROMELTA* SYSTEM
SINE BAR CHUCKS
BLOCKS HOLDERS, MINI CHUCKS
HOLDING TOOLS
MEASURING TOOL HOLDERS
MAGNETIC HOLDERS
TOOLS