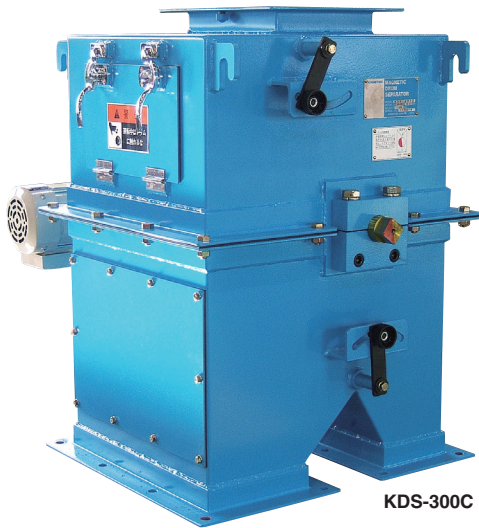


MAGNETIC SEPARATORS

Model KDS DRUM TYPE MAGNETIC SEPARATOR

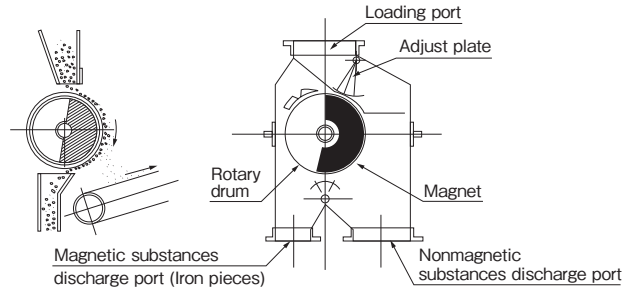


[Application]

A motor-driven magnetic separating system incorporating a permanent magnetic drum in a casing automatically removes and collects iron pieces, bolts, etc. from raw materials loaded from a hopper.

[Features]

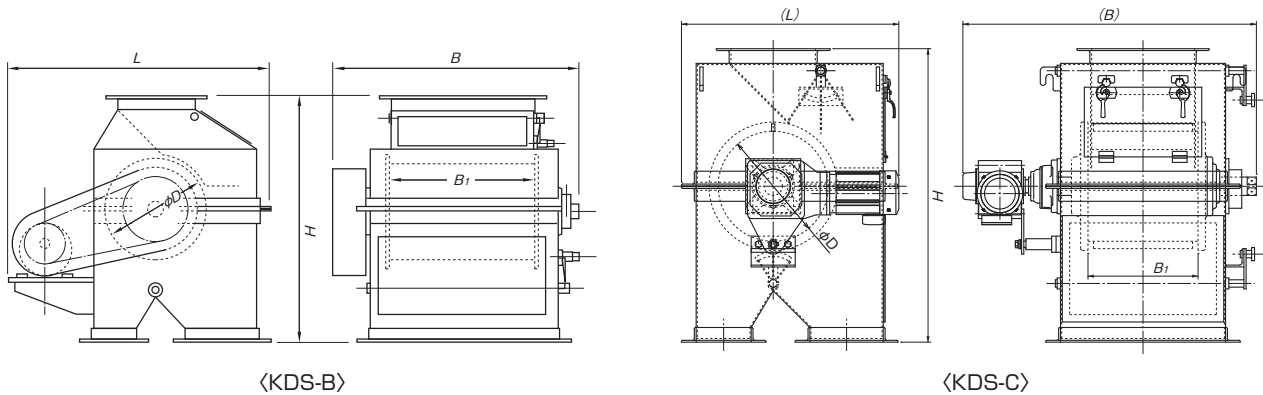
- Very easy to handle.
- Compact and light weight for easy relocation and installation.
- The powerful magnetic force type having a large processing capacity.
- KDS-HA-C 180 mT (1800 G), HC-C 300 mT (3000 G), HE-C 500 mT (5000 G) Series are also available.



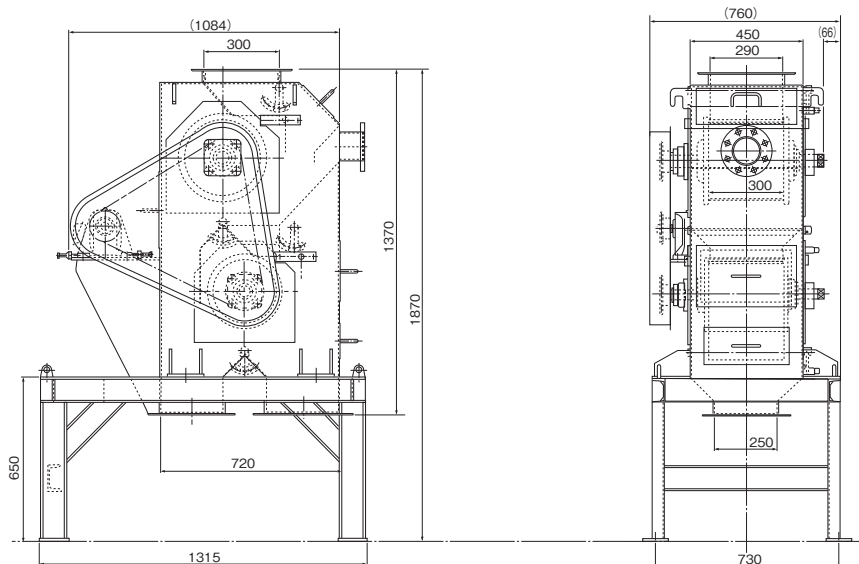
[mm (in)]

Model	Processing Capacity	Dimensions			Drum		Surface Magnetic Flux Density	Drive Motor	Mass
		L	B	H	ϕD	B_1			
KDS- 250C	15m ³ /h	540 (21.2)	700 (27.5)	725 (28.5)	250 (9.84)	250 (9.84)	90mT (900G)	0.2kW	125kg/ 275 lb
KDS- 300C	25m ³ /h	590 (23.2)	800 (31.5)	800 (29.5)	300 (11.8)	300 (11.8)			100mT (1000G)
KDS- 500C	40m ³ /h		950 (37.4)			450 (17.7)	450kg/ 507 lb		
KDS- 600C	50m ³ /h	1100 (43.3)	600 (23.6)	350kg/ 771 lb					
KDS- 800B	75m ³ /h	930 (36.6)	1000 (39.4)	850 (33.4)	400 (15.7)	680 (26.7)	450kg/ 992 lb		
KDS- 900B	90m ³ /h	1150 (45.2)	1150 (45.2)	1100 (43.3)	400 (15.7)	830 (32.6)	550kg/ 1213 lb		
KDS-1100BA	105m ³ /h	1150 (45.2)	1000 (39.4)	1100 (43.3)	500 (19.6)	680 (26.7)	600kg/ 1323 lb		
KDS-1200BA	125m ³ /h		1150 (45.2)			830 (32.6)	740kg/ 1631 lb		

※Pre-test is available. ※The Processing Capacity is presented as a guide. The listed values may drop depending on substances to process.
 ※KDS-1100BA/1200BA use the IE3 motor.



An example of fabrication of KDS-300B-2-S 2-stage drum type magnetic separator



MAGNETIC TOOLS & EQUIPMENT FOR MINING OPERATION
 LIFTING MAGNET
 MAGBORE*
 OHP & SLOUSE CONVENIENCE EQUIPMENT
 ENVIRONMENTAL MAGNETIZER AND DEMAGNETIZER
 MAGNETIC EQUIPMENT FOR CONVENIENCE
 MAGNETIC SEPARATORS
 POWERFUL MAGNETIC SEPARATORS
 MEASURING INSTRUMENTS
 MAGNETIC MATERIALS