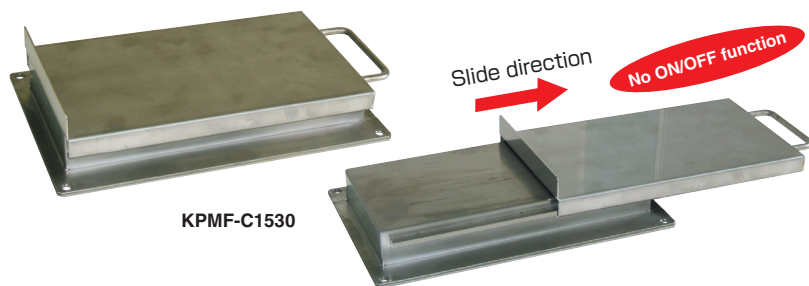


MAGNETIC SEPARATORS

Model KPMF-C PLATE MAGNET WITH IRON POWDER REMOVAL COVER

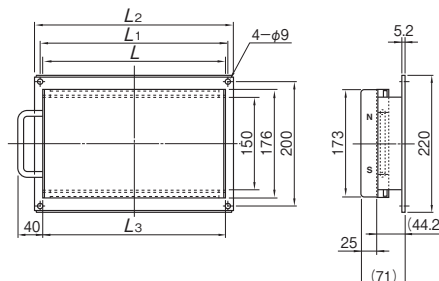


[Application]

These magnets are installed on chutes and hoppers to attract/collect magnetic substances.

[Features]

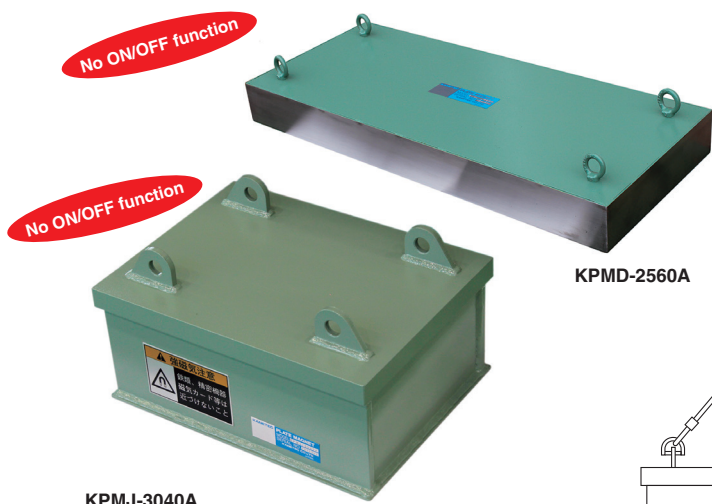
- Attracted magnetic substances can be released and cleaned off very easily by pulling out the iron-removal cover.



Model	Dimensions				Mass
	L	L ₁	L ₂	L ₃	
KPMF-C1530	300 (11.8)	310 (12.2)	330 (12.9)	303 (11.9)	Approx. 12.5kg/27.5 lb
KPMF-C1535	350 (13.7)	360 (14.1)	380 (14.9)	353 (13.9)	Approx. 14.5kg/31.9 lb
KPMF-C1540	400 (15.7)	410 (16.1)	430 (16.9)	403 (15.8)	Approx. 16.5kg/36.3 lb
KPMF-C1545	450 (17.7)	460 (18.1)	480 (18.9)	453 (17.8)	Approx. 19 kg/41.8 lb
KPMF-C1550	500 (19.6)	510 (20.0)	530 (20.8)	503 (19.8)	Approx. 21 kg/46.3 lb

*Surface max. magnetic flux density ... Magnet surface: 130 mT (1300 G) Cover surface: 100 mT (1000 G)

Model KPM SUSPENDED PLATE MAGNET



[Application]

These permanent magnets are suspended above a chute or conveyor belt to attract and separate magnetic substances such as small iron pieces and particles from raw materials in chemical, drug and other fine particle industries.

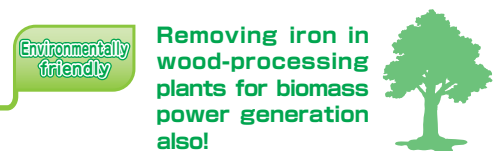
[Features]

- Powerful attractive force. Compact and robust.
- As a permanent magnet is used, no power source is required and these magnets can be used in any place.
- Very easy installation.

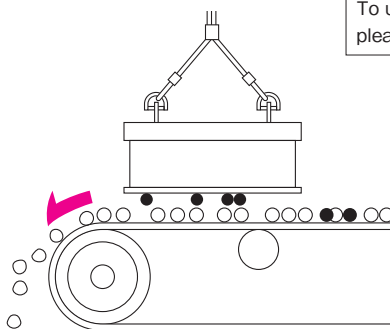


Precautions for use

To use these magnets in liquids (e.g. water) other than oil, please specify "enclosed type."



Removing iron in wood-processing plants for biomass power generation also!



Model KPMD

Model	Dimensions					Attraction Capacity (Distance)			Mass
	B	L	b	ℓ	H	15-cm nail	M10 nut	M10×25 bolt	
KPMD-2525A	250 (9.84)	250 (9.84)	170 (6.69)	170 (6.69)	64 (2.52)	130-170 (5.11-6.69)	60- 90 (2.36-3.54)	100-130 (3.93-5.11)	22kg/ 48.5 lb
KPMD-2530A		300 (11.8)		220 (8.66)					27kg/ 59.5 lb
KPMD-2540A		400 (15.7)		320 (12.6)					35kg/ 77.1 lb
KPMD-2550A		500 (19.6)		420 (16.5)					44kg/ 97.0 lb
KPMD-2560A	350 (13.7)	600 (23.6)	270 (10.6)	520 (20.4)	82 (3.22)	160-200 (6.29-7.87)	80-120 (3.15-4.72)	110-140 (4.33-5.51)	54kg/119.0 lb
KPMD-3530A		300 (11.8)		220 (8.66)					49kg/108.0 lb
KPMD-3540A		400 (15.7)		320 (12.6)					64kg/141.1 lb
KPMD-3550A		500 (19.6)		420 (16.5)					80kg/176.4 lb
KPMD-3560A	600 (23.6)	270 (10.6)	270 (10.6)	520 (20.4)	82 (3.22)	160-200 (6.29-7.87)	80-120 (3.15-4.72)	110-140 (4.33-5.51)	100kg/220.5 lb

Model KPMJ

KPMJ-3030A	300 (11.8)	300 (11.8)	200 (7.87)	200 (7.87)	159 (6.25)	180-250 (7.08-9.84)	100-130 (3.93-5.11)	120-160 (4.72-6.29)	82kg/180.7 lb
KPMJ-3040A		400 (15.7)		260 (10.2)					112kg/246.9 lb
KPMJ-3050A		500 (19.6)		360 (14.1)					150kg/330.6 lb
KPMJ-4040B	400 (15.7)	400 (15.7)	250 (9.84)	250 (9.84)	124 (4.87)	300-400 (11.8-15.7)	150-200 (5.90-7.87)	90kg/198.4 lb	90kg/198.4 lb
KPMJ-4060B		600 (23.6)		380 (14.9)					140kg/308.7 lb
KPMJ-4080B		800 (31.5)		500 (19.6)					185kg/407.9 lb
KPMJ-5065B	490 (19.2)	650 (25.5)	300 (11.8)	400 (15.7)	129 (5.07)	400-450 (15.7-17.7)	130-140 (5.11-5.51)	200-240 (7.87-9.44)	230kg/507.0 lb
KPMJ-6580B	650 (25.5)	800 (31.5)	400 (15.7)	600 (23.6)	159 (6.25)	150-200 (5.90-7.87)	200-240 (7.87-9.44)	400kg/881.8 lb	

Model KPMD

<Suspended permanent magnet>

- Suspended above a chute of a conveyor belt to attract and remove iron pieces.
- Larger attraction distance than KPMF.
- Stainless steel (SUS304) surface.
- Eyebolts in four places. (M8 eyebolts on KPMD-25** and M10 eyebolts on KPMD-35**)

Model KPMJ

<Suspended permanent magnet>

- Suspended above a chute of a conveyor belt to attract and remove iron pieces.
- More powerful than KPMD.
- Stainless steel (SUS304) surface.
- Suspension hinges in four places. (Diameter = φ20)

*Larger sizes are available. Please contact us.

MAGNETIC MEASURING EQUIPMENT
 LIFTING MAGNET
 MAGBORE*
 CHP & SLUDGE CONVEYANCE EQUIPMENT
 ENVIRONMENTAL MAGNETIZER AND MAGNETIC EQUIPMENT
 DEMAGNETIZER
 MAGNETIC SEPARATORS FOR CONVEYANCE
 ENVIRONMENTAL MAGNETIZER AND MAGNETIC EQUIPMENT
 SEPARATORS
 POWERFUL MAGNETIC MEASURING INSTRUMENTS
 MATERIALS