

LIFTING MAGNETS

Model LVA SMALL VACUUM TYPE TRANSPORTATION UNIT VACUUM ACE*

Single type

Non-magnetic type

For lifting a variety of materials from such non-magnetic materials as aluminum, stainless steel and glass and light-weight thin steel plates!



LVA-C20

LVA-RC20

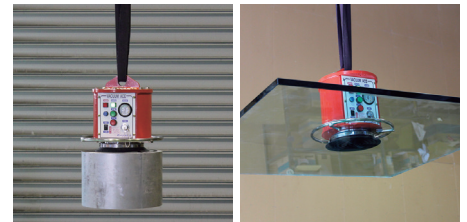
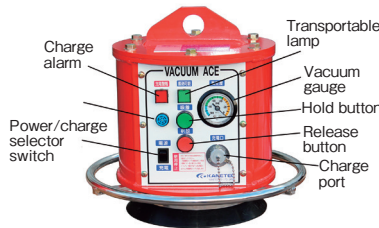


[Application]

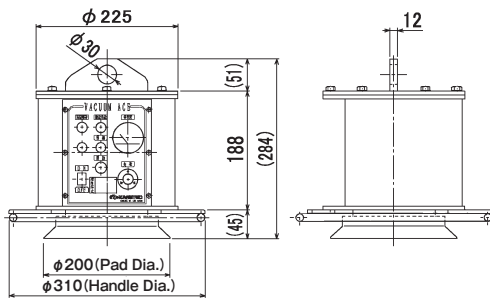
Suitable for lifting and moving such non-magnetic materials as aluminum, stainless steel and glass that cannot be held by magnet and light-weight thin steel plates.

[Features]

- Since the vacuum source and power source are incorporated and no hose or cord is required, this unit can be used in any place desired.
- This unit is equipped with the lamp & buzzer sound safety feature controlled by a computer to ensure safety during work.
- The use of vacuum enables it to lift stacked workpieces one by one reliably.
- An original vacuum pad is employed to minimize distortion of thin workpieces.
 - ※ The pad is consumable. The pad alone is also available.
- The unit can be operated remotely by use of a remote controller. (LVA-RC20 remote control type)
 - ※ The remote control type has no buttons to operate at hand.
- The unit has a handle to protect the body from shocks and to facilitate movement and positioning.
- Light weight of 14 kg and compact design.



[mm (in)]



Model	Type	Lifting Capacity	Dimensions	Pad Dia.	Handle Dia.	Working Hours	Mass	Accessories
LVA-C20	Manual	80kg/ 176lb ※1	φ225 (8.85) × H284 (11.1)	φ200 (7.87)	φ310 (12.2)	Max.8 hours ※2	14kg/ 30.8 lb	Charger
LVA-RC20	Remote control							Charger, Remote controller

※1 The lifting capacity is indicated by a value that is a half of the max. holding power. ※2 Working rate 50% ED.

Balance type to lift 3×6 standard plates

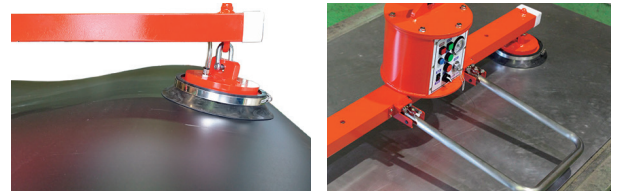
Balance type designed for lifting 3×6 standards plates!

[Features]

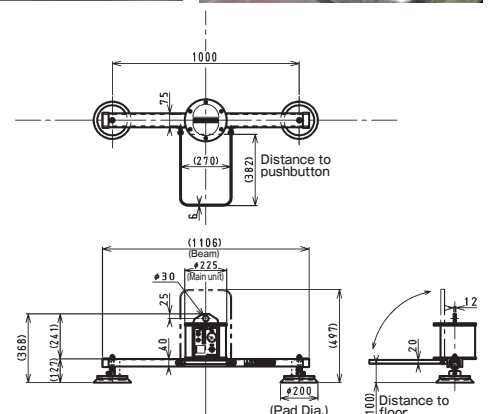
- The pad having much freedom minimizes risk of separation due to slippage of distorted workpieces.
- The unit is equipped with a handle that is also usable for positioning when lifting standard plates to avoid dangerous inclined lifting.
- The unit can be operated remotely by use of a remote controller. (LVA-RCT20-36)
- The dedicated stand useful for temporary placement and storage is available optionally.



LVA-CT20-36



Dedicated stand (Optional)



Model	Type	Lifting Capacity	Dimensions	Pad Dia.	Working Hours	Mass	Accessories
LVA-CT20-36	Manual	3×6 plate (914 (35.9) × 1829 (72.0))	L1100 (43.3) × H356 (14.0) ※2	φ200 (7.87)	Max.8 hours ※3	30kg/ 66.1 lb	Charger
LVA-RCT20-36	Remote control	t 0.5-6.0 ※1					Charger, Remote controller

※1 For plate thickness less than 0.5 mm, please contact us.

※2 The height is up to the top end of the inside diameter of the suspension part. ※3 Working rate 50% ED

MAGNETIC TOOLS & EQUIPMENT FOR MECHANICAL OPERATION
LIFTING MAGNET
MAGBOPRE*
CNP & SUDGE
CONVENIENCE EQUIPMENT
ENVIRONMENTAL
MAGNETIZER AND
DEMAGNETIZER
FOR CONVENIENCE
MAGNETIC EQUIPMENT
SEPARATORS
SEPARATORS
POWERFUL MAGNETIC
TOOLS
MEASURING
INSTRUMENTS
MAGNETIC
MATERIALS