

Model MTP MAGTAP*

Fully covering small to large diameter tapping



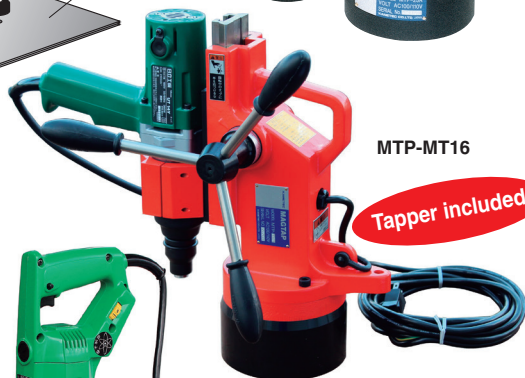
MTP-13B



Iron plate



MTP-25A



MTP-MT16

Tapper included



MTP-MT8A

Tapper included

[Application]

A tool designed to facilitate tapping of prepared holes in iron and steel plates, secured with a powerful magnet. Available in two types: permanent magnet and electromagnet. Tapping can be done either by manual tapping or using an electric tapper.

[Features]

- The Magtap uses its strong holding power to secure a stable mounting position and posture for easy tapping.

■ MTP-13B 《Manual tapping type》

- Small and light weight for easy carrying around.
- The tap guide holder to facilitate accurate tapping in horizontal and vertical faces.
- Wear and damage of taps can be prevented.
- The magnet used is a powerful permanent magnet.

■ MTP-25A 《Ratchet type》

- Tapping can be done only by repeating back-forth movement with the ratchet lever.
- The magnet used is a powerful electromagnet.

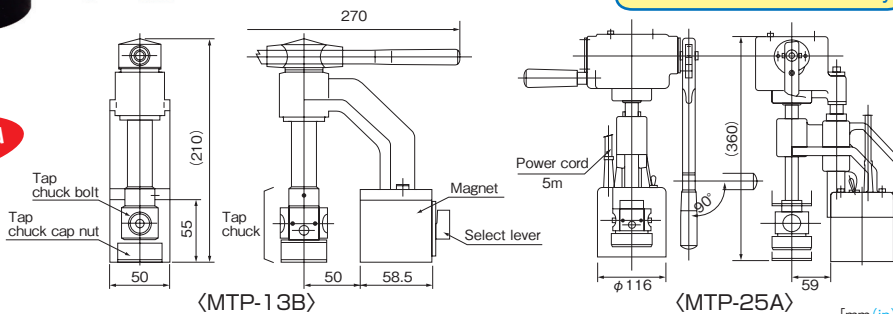
■ MTP-MT8A 《Electric type》

- The revolution can be varied steplessly according to tap sizes.
- Small and light weight for easy carrying around.
- The tapper can be changed to an electric drill by changing the mounting fixtures.

■ MTP-MT16 《Electric type》

- Speedy tapping can be achieved by the impact method.
- The back-forth and right-left adjusting mechanism is incorporated.
- The tapper can be changed to an electric drill by changing the mounting fixtures. (The main unit is the same as KANETEC Magbore KCD-1NB, but the lock handle faces an opposite direction.)

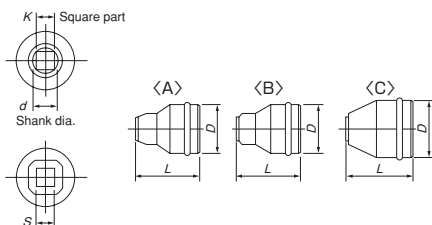
Parts available individually



Model	Tap Feeding	Tapper Type	Tapping Capacity	Max. Stroke	Holding Method	Holding Power	Power Source	Power Consumption		Dimensions		Turning Angle	Fine Back-Forth Move	Mass		
								Electromagnet	Tapper	Magnet	Height					
MTP-13B	Manual	-	M 3 (0.11) - M12 (0.47)	60 (2.36)	Permanent magnet	0.8kN (80kgf)	-	-	-	50 (1.96) × 58.5 (2.30) × 55 (2.16)	210 (8.26)	-	-	2.5kg / 5.51 lb		
MTP-25A			M10 (0.39) - M24 (0.94)	85 (3.34)		6kN (600kgf)				30W	φ 116 (4.56) × 75 (2.95)			360 (14.1)	14kg / 30.8 lb	
MTP-MT8A	Electric	UT- 8V	M 3 (0.11) - M 8 (0.31)	100 (3.93)	Electro Magnet	3.5kN (350kgf)	Single-phase 100 VAC	34W	285W	φ 105 (4.13) × 60 (2.36)	(440) (17.3)	-	-	9kg / 19.8 lb		
MTP-M8A		-							240 (9.44)	240 (9.44)	6.5kg / 14.3 lb					
MTP-MT16		UT-14Y	M 8 (0.31) - M16 (0.62)	140 (5.51)		8kN (800kgf)			360W	φ 142 (5.59) × 70 (2.75)	(390) (15.3)			320°	30 (1.18)	18kg / 39.6 lb
MTP-M16		-							-	355 (13.9)	355 (13.9)			15.5kg / 34.1 lb		

*The power cable included is 5 m long for MTP-25A and MTP-MT16, MTP-M16 and 2 m long for MTP-MT8A, MTP-M8A. *For MTP-MT, use a taper tap or plug tap. *MTP-MT16 requires tap holders suitable for tap sizes, which are optionally available. (See the figures below.) *The figures in () in "Height" are the height with the electric tapper installed. *The holding power is based on a test piece of SS400, 25 mm thick, mill scale surface.

Information about commercially available tap holders for tapper UT-14Y
 ... Tap holder sets/major dimensions and applicable taps (Use commercially available holders according to tap sizes.)



Name	Code No.	Shape	Applicable Tap Size		Tap Mounting Dimensions		External Dimensions		
			Metric	Unified	d	K	S	D	L
M8 Tap holder set	995308	A	M 8 (0.31)	-	6.2 (0.24)	5 (0.19)	12.7 (0.50)	36 (1.41)	49 (1.92)
M10 3/8 Tap holder set	995280		M10 (0.39)	3/8	7 (0.27)	5.5 (0.21)			
M12 Tap holder set	995283	B	M12 (0.47)	-	8.5 (0.33)	6.5 (0.25)			
* 1/2 Tap holder set	995281		-	1/2	9 (0.35)	7 (0.27)			
M14 Tap holder set	995300	C	M14 (0.55)	-	10.5 (0.41)	8 (0.31)			
5/8 Tap holder set	995282		-	5/8	12 (0.47)	9 (0.35)			
M16 Tap holder set	996341		M16 (0.62)	-	12.5 (0.49)	10 (0.39)			

The 1/2 tap holder set marked by * is a standard accessory. The M12 tap can be used by replacing the tap drive only with the one for M12. The holders other than the one marked by * are all commercially available. Please purchase them.

MAGNETIC TOOLS & EQUIPMENT FOR TAPPING OPERATION
 LIFTING MAGNET
 MAGBORE*
 CHIP & SLUDGE CONVEYANCE EQUIPMENT
 ENVIRONMENTAL EQUIPMENT
 MAGNETIZER AND DEMAGNETIZER
 MAGNETIC EQUIPMENT FOR CONVEYANCE
 MAGNETIC SEPARATORS
 POWERFUL MAGNETIC SEPARATORS
 MEASURING TOOLS
 INSTRUMENTS