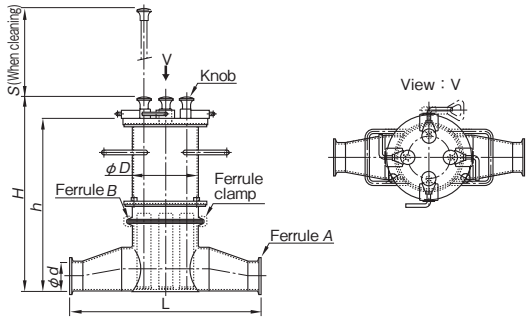


Model PCMH2-D-A/TD-A MAGNETIC FILTER FOR VISCOUS AND HEAT-RESISTANT LIQUID



[Application]

Since these filters have been made by welding all around, they are suitable for food processing operations; in particular, most suitable for operations where the growth of bacteria is never allowed. The filter can be locked with the magnets turned off and therefore these filters are suitable for lines where they are to be cleaned without removing the magnet part.

[Features]

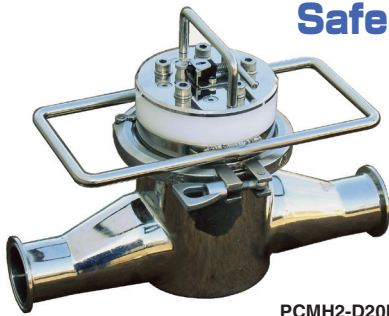
- Manual ON/OFF switching is possible. (Inserting and removing each magnetic bar makes the ON/OFF operation lighter.)
- The fixing part of the outer pipe that comes in contact with liquid has been welded all around and buffed smoothly, which prevents accumulation of liquid to ensure clean operation.
- A special version having 6 magnetic bars is also available.
- The working temperature up to 150°C is allowed. (TD-A type)
- A super powerful magnetic filter is also available.

Model	Material	Finish	Pressure Resistance Limit	Viscosity Upper Limit of Applicable Fluid (Ref)	Magnetic Bar			Dimensions								Working Temp. Upper Limit	Mass
					Material	Qty	Surface max. magnetic flux density	A	d	B	D	L	H	S	h		
PCMH2-D15A	SUS 304	#400 buffed	500kPa (5kgf/cm ²)	1.5 × 10 ⁴ mPa·s (1.5 × 10 ⁴ cP)	SUS 304	0.8T (8000G)	1 1/2 S	35.7 (1.41)	4 1/2 S	114 (4.48)	330 (12.9)	336 (13.2)	153 (6.02)	299 (11.7)	80°C (176° F)	13kg/28.6 lb	
PCMH2-D20A							2 S	47.8 (1.88)		140 (5.51)	420 (16.5)	484 (19.0)	179 (7.04)	347 (13.6)			
PCMH2-D25A							2 1/2 S	59.5 (2.34)	5 1/2 S	140 (5.51)	420 (16.5)	484 (19.0)	179 (7.04)	347 (13.6)			
PCMH2-D30A							3 S	72.3 (2.84)		140 (5.51)	420 (16.5)	484 (19.0)	179 (7.04)	347 (13.6)			
PCMH2-D35A							3 1/2 S	85.1 (3.35)		140 (5.51)	420 (16.5)	484 (19.0)	179 (7.04)	347 (13.6)			
PCMH2-TD15A							150°C (302° F)	13kg/28.6 lb	1 1/2 S	35.7 (1.41)	4 1/2 S	114 (4.48)	330 (12.9)	336 (13.2)		153 (6.02)	299 (11.7)
PCMH2-TD20A									2 S	47.8 (1.88)		140 (5.51)	420 (16.5)	484 (19.0)		179 (7.04)	347 (13.6)
PCMH2-TD25A									2 1/2 S	59.5 (2.34)	5 1/2 S	140 (5.51)	420 (16.5)	484 (19.0)		179 (7.04)	347 (13.6)
PCMH2-TD30A									3 S	72.3 (2.84)		140 (5.51)	420 (16.5)	484 (19.0)		179 (7.04)	347 (13.6)
PCMH2-TD35A									3 1/2 S	85.1 (3.35)		140 (5.51)	420 (16.5)	484 (19.0)		179 (7.04)	347 (13.6)

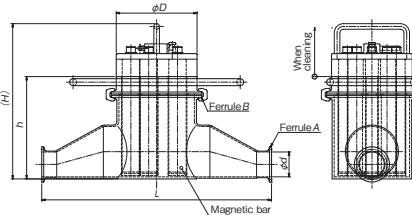
*A SUS316 version is also available upon request. The standard connection method is by use of ferrules, but a screw type or flange type is also available.
 *A type having a surface maximum magnetic flux density of 0.95 T (9500 G) is also available. (Optional)

Model PCMH2-D-B MAGNETIC FILTER FOR VISCOUS LIQUID

Safe and easy cleaning to enhance the work efficiency!



PCMH2-D20B



[Application]

This filter is recommended for installation in a passage between manufacturing processes in plants of pasty viscous foods like juice and chemical products to separate and catch magnetic fine particles.

[Features]

- The outer pipe that comes in contact with liquid and the magnetic bar unit can be pulled out together, which improves the workability and facilitates cleaning.
- The filter is of simple construction to facilitate replacement of parts and checking of magnetic bars.
- A dedicated magnetic bar housing case is available optionally. A case to house a desired number of bars is also available.

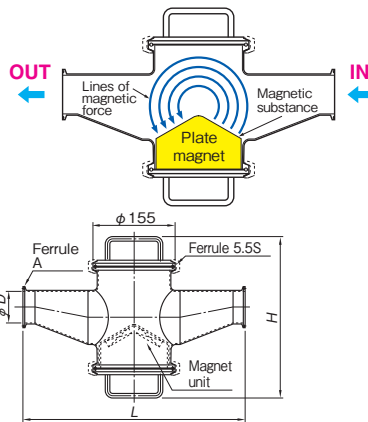


Model	Material	Finish	Pressure Resistance Limit	Viscosity Upper Limit of Applicable Fluid (Ref)	Magnetic Bar			Dimensions								Working Temp. Upper Limit	Mass
					Material	Qty	Surface max. magnetic flux density	A	d	B	D	L	H	h			
PCMH2-D15B	SUS 304	#400 buffed	500kPa (5kgf/cm ²)	1.5 × 10 ⁴ mPa·s (1.5 × 10 ⁴ cP)	SUS 304	0.8T (8000G)	1 1/2 S	35.7 (1.41)	4 1/2 S	116 (4.56)	330 (12.9)	223 (8.77)	147 (5.78)	80°C (176° F)	8kg/17.6 lb		
PCMH2-D20B							2 S	47.8 (1.88)		140 (5.51)	420 (16.5)	261 (10.2)	178 (7.00)				
PCMH2-D25B							2 1/2 S	59.5 (2.34)	5 1/2 S	140 (5.51)	420 (16.5)	261 (10.2)	178 (7.00)				
PCMH2-D30B							3 S	72.3 (2.84)		140 (5.51)	420 (16.5)	261 (10.2)	178 (7.00)				
PCMH2-D35B							3 1/2 S	85.1 (3.35)		140 (5.51)	420 (16.5)	261 (10.2)	178 (7.00)				

Model PCMH4 MAGNETIC FILTER FOR VISCOUS LIQUID



PCMH4-25



[Application]

Most suitable for collecting magnetic substances and weak magnetic substances in manufacturing lines of viscous liquid foods and chemical products containing solids.

[Features]

- These filters have been so constructed as to ensure smooth flow of materials to process and cause the magnetic force to act up to the top of the casing, ensuring efficient collection of magnetic substances.
- Easy overhaul and reliable cleaning.
- No liquid remains, ensuring clean operations.

Model	Surface Max. Magnetic Flux Density	Pressure Resistance Limit	Dimensions				Mass
			L	H	A	φD	
PCMH4-15	0.35T (3500G)	500kPa (5kgf/cm ²)	360 (14.1)	304 (11.9)	1.5S	35.7 (1.41)	12.8kg/28.2 lb
PCMH4-20			2 S		47.8 (1.88)	13.8kg/30.4 lb	
PCMH4-25			2.5S	59.5 (2.34)	15 kg/33.0 lb		
PCMH4-30			3 S	72.3 (2.84)	16.3kg/35.9 lb		
PCMH4-35			3.5S	85.1 (3.35)	17.7kg/39.0 lb		

MAGNETIC TOOLS & EQUIPMENT FOR FEEDING OPERATION
 LIFTING MAGNET
 MAGBORE™
 CHIP & SLUDGE CONVEYANCE EQUIPMENT
 ENVIRONMENTAL EQUIPMENT
 MAGNETIZER AND DEMAGNETIZER
 MAGNETIC SEPARATORS FOR CONVEYANCE
 POWERFUL MAGNETIC SEPARATORS
 MEASURING TOOLS
 MAGNETIC MATERIALS INSTRUMENTS