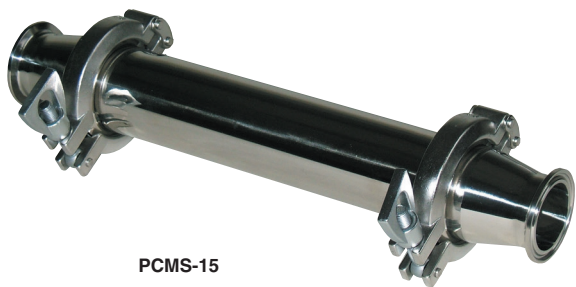


POWERFUL MAGNETIC SEPARATORS

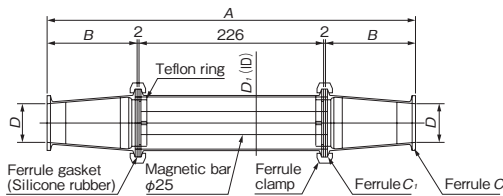
Model PCMS STRAIGHT TYPE MAGNETIC FILTER FOR LIQUID



PCMS-15

[Features]

- Recommended for operations where the amount (flow rate) of materials to process is small.
- Simple construction for easy overhaul and cleaning.
- Compact and light weight, requiring little space.
- An example of usage: Mayonnaise, steak sauce, paste

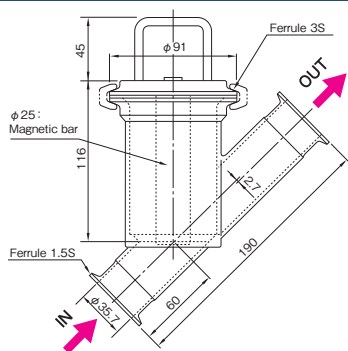


Powerful type / Heat-resistant powerful type / Super powerful type

[mm (in)]

Model			Surface Material	Surface Finish	Pressure Resistance	Dimensions					Working Temperature			Mass	
Powerful	Heat-resistant powerful	Super powerful				A	B	C	C ₁	D	D ₁	Surface Max. Magnetic Flux Density	Powerful		Heat-resistant powerful
PCMS-10	PCMS-T10	PCMS-A10	SUS304	#400 buffed	500kPa (5kgf/cm ²)	340 (13.3)	55 (2.16)	1S	2S	φ23 (0.90)	φ47.8 (1.88)	Upper limit 80°C (176° F)	Upper limit 150°C (302° F)	Upper limit 80°C (176° F)	Approx. 2.5kg/5.51 lb
PCMS-15	PCMS-T15	PCMS-A15				450 (17.7)	110 (4.33)	1.5S	2.5S	φ35.7 (1.41)	φ59.5 (2.34)	0.8T (8000G) or over	0.8T (8000G) or over	1T (10000G) or over	
PCMS-20	PCMS-T20	PCMS-A20				450 (17.7)	110 (4.33)	2S	2.5S	φ47.8 (1.88)	φ59.5 (2.34)	0.8T (8000G) or over	0.8T (8000G) or over	1T (10000G) or over	

Model PCMY MAGNETIC FILTER FOR LIQUID

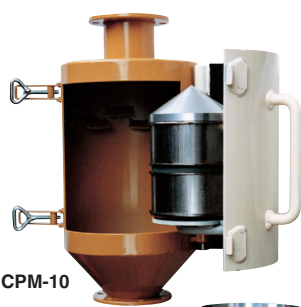


[Features]

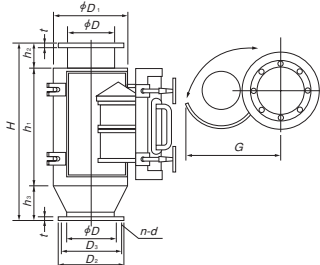
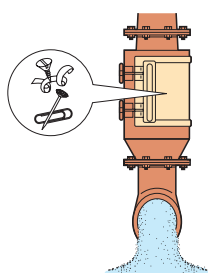
- A Y-type filter that can be used for straight piping. The magnetic bar can be cleaned easily.
- An example of usage: Noodle soup, sauce, syrup

Model	Surface Material	Surface Finish	Surface Max. Magnetic Flux Density	Working Temperature	Pressure Resistance	Mass
PCMY-15	SUS304	#400 buffed	0.8 T (8000 G) or over	Upper limit 80°C (176° F)	1,000kPa (10kgf/cm ²)	Approx. 4kg/8.8 lb
PCMY-T15	SCS13	#400 buffed	0.8 T (8000 G) or over	Upper limit 150°C (302° F)	1,000kPa (10kgf/cm ²)	Approx. 4kg/8.8 lb

Model CPM TUBULAR MAGNETIC SEPARATOR



CPM-10



CPM sanitary specification



[Application]

A tubular separator incorporating a powerful columnar permanent magnet. When this separator is installed in a system to flow such nonmagnetic substances as powder and granular materials, mixed iron pieces, etc. can be removed. This separator has a construction suitable for vertical falling flow operations.

[Features]

- Eight types are available by cylinder sizes to meet various mounting shapes.
- The magnet is housed in a robust steel tube for protection against impacts by powder and granular materials.
- The opening hatch facilitates removal of iron pieces.
- While the iron-removal rate is very high, the installation cost is low and almost no running cost is required.
- The transfer lines and processing equipment are protected against damage by iron pieces.
- Possible spark formation of powder and granular materials can be prevented.
- The quality and purity can be increased and reliability can be enhanced.

[mm (in)]

Model	Processing Capacity	Dimensions										Mass	
		φD	φD ₁	H	h ₁	h ₂	h ₃	φD ₂	D ₃	n-d	t		G
CPM-5	1 m ³ /h	61 (2.40)	145 (5.70)	310 (12.2)	195 (7.67)	50 (1.96)	65 (2.55)	130 (5.11)	105 (4.13)	6-φ10 (0.39)	8 (0.31)	200 (7.87)	6kg/13 lb
CPM-10	2.5m ³ /h	102 (4.01)	220 (8.66)	570 (22.4)	370 (14.5)	70 (2.75)	130 (5.11)	190 (7.48)	155 (6.10)			300 (11.8)	12.5kg/28 lb
CPM-15	6 m ³ /h	165 (6.49)	275 (10.8)	680 (26.7)	430 (16.9)	100 (3.93)	150 (5.90)	265 (10.4)	230 (9.05)	8-φ10 (0.39)	8 (0.31)	310 (12.2)	22kg/48 lb
CPM-20	10 m ³ /h	216 (8.50)	345 (13.5)	790 (31.1)	520 (20.4)		170 (6.69)	320 (12.6)	280 (11.0)			390 (15.3)	30kg/66 lb
CPM-25	15 m ³ /h	267 (10.5)	435 (17.1)	950 (37.4)	580 (22.8)	100 (3.93)	270 (10.6)	385 (15.2)	345 (13.5)	12-φ10 (0.39)	8 (0.31)	485 (19.1)	45kg/99 lb
CPM-30	20 m ³ /h	319 (12.5)	485 (19.1)	1000 (39.4)	600 (23.6)		300 (11.8)	430 (16.9)	390 (15.3)			560 (22.0)	58kg/127 lb
CPM-40	35 m ³ /h	406 (15.9)	620 (24.4)	1100 (43.3)	700 (27.5)	100 (3.93)	300 (11.8)	540 (21.2)	495 (19.4)	12-φ14 (0.55)	8 (0.31)	715 (28.2)	85kg/187 lb
CPM-50	55 m ³ /h	508 (20.0)	780 (30.7)	1200 (47.2)	780 (30.7)		320 (12.6)	655 (25.7)	605 (23.8)			885 (34.8)	110kg/242 lb

*A sanitary version is also available upon request.