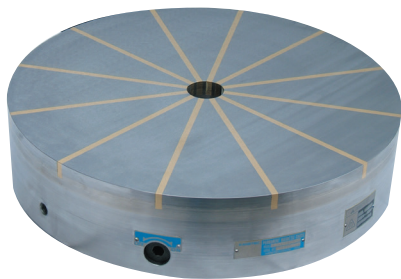
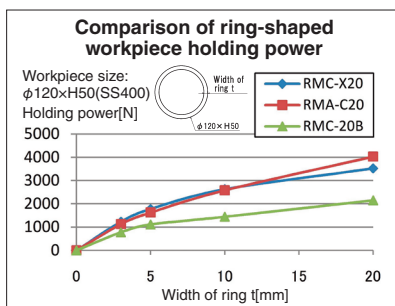


Model RMC-X STAR-POLE ROUND PERMANENT MAGNETIC CHUCK

This chuck supports strongly bearing process.

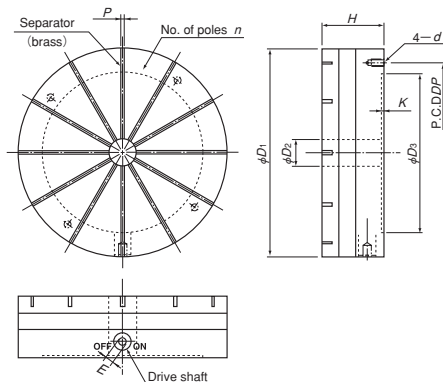


RMC-X40



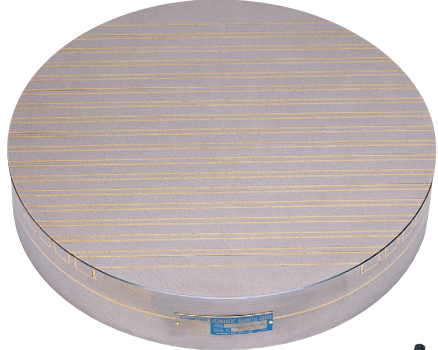
Model	Work Face				Mounting Face				Height		Handle Hole		Mass			
	Standard	Mag. force adjust	D ₁	D ₂	P	No. of poles "n"	D ₃	K	D _p	d	Standard	Mag. force adjust	Standard	Mag. force adjust	Standard	Mag. force adjust
RMC-X15	—	—	150 (5.90)	30 (1.18)	—	10	110 (4.33)	—	130 (5.11)	M8	74 (2.91)	—	8 (0.31)	—	Approx. 9 kg/19.8 lb	—
RMC-X20	RMC-X20B	—	200 (7.87)	—	—	10	160 (6.29)	—	180 (7.08)	M8	84 (3.30)	—	8 (0.31)	—	Approx. 16kg/35.2 lb	Approx. 18kg/39.6 lb
RMC-X30	RMC-X30B	—	300 (11.8)	40 (1.57)	6 (0.23)	12	230 (9.05)	4 (0.15)	260 (10.2)	M10	89 (3.50)	94 (3.70)	10 (0.39)	—	Approx. 42kg/92.6 lb	Approx. 43kg/94.7 lb
RMC-X40	RMC-X40B	—	400 (15.7)	—	—	12	315 (12.4)	—	355 (13.9)	M10	89 (3.50)	94 (3.70)	10 (0.39)	—	Approx. 83kg/182 lb	Approx. 90kg/198 lb
RMC-X50	—	—	500 (19.6)	130 (5.11)	—	24	400 (15.7)	—	450 (17.7)	M12	117 (4.60)	—	—	—	Approx. 160kg/352 lb	—
RMC-X60	—	—	600 (23.6)	180 (7.08)	—	24	450 (17.7)	—	520 (20.4)	M12	117 (4.60)	—	—	—	Approx. 230kg/507 lb	—

※A ratchet type handle (with socket) is included.

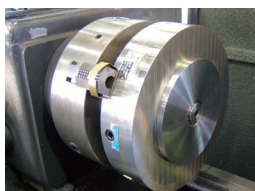


Model RMC POWERFUL ROUND PERMANENT MAGNETIC CHUCK

"B" is magnetic force adjust type.



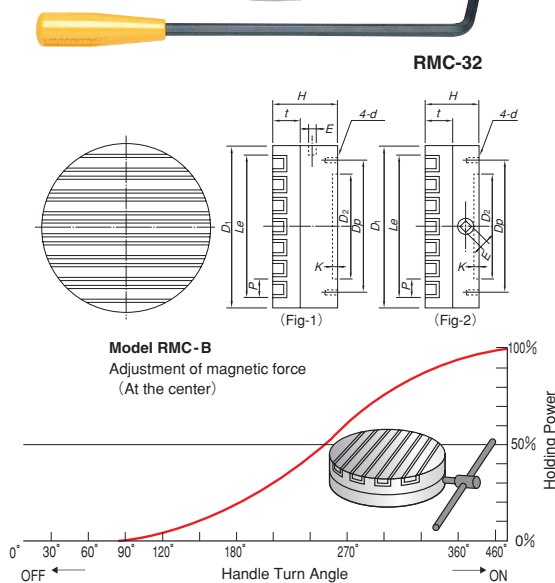
RMC-32



<An example of machining on lathe>

[Application] Permanent magnetic chucks using a high-performance magnet for grinding operations on rotary grinders, cylindrical grinders, internal grinders and cutting operations on lathes.

- [Features]
- The "B" type can be used in such a way that it first holds a workpiece by a weak magnetic force and after finely adjusting its holding position, it is changed to a strong magnetic force to secure the workpiece firmly.
 - Can be used for both grinding and cutting operations.
 - Work well on thin workpieces to thick workpieces.
 - Highly precise chucks with little accuracy change.



Model	Fig.	Nominal Dimensions		Top Plate		Pole Pitch		Bottom Plate			Face Plate Thickness t	Height H	Handle Hole E	Mass		
		D ₁	Le	P	D ₂	K	D _p	d								
RMC-13	1	125 (4.92)	125 (4.92)	88 (3.46)	15.2 (1.5+3.2+1.5+9) 0.59 (0.05+0.12+0.05+0.35)	100 (3.93)	112 (4.40)	M 6 (0.23)	24 (0.94)	55 (2.16)	Hexagon 8 (0.31)	—	4.5kg/ 10 lb			
RMC-16		160 (6.29)	160 (6.29)	118 (4.64)									125 (4.92)	140 (5.51)	180 (7.08)	7.5kg/ 16 lb
RMC-20		200 (7.87)	200 (7.87)	149 (5.86)									160 (6.29)	180 (7.08)	224 (8.81)	12kg/ 26 lb
RMC-25		250 (9.84)	250 (9.84)	194 (7.63)									200 (7.87)	224 (8.81)	280 (11.0)	18kg/ 40 lb
RMC-32		315 (12.4)	315 (12.4)	255 (10.0)									250 (9.84)	280 (11.0)	M10 (0.39)	29kg/ 64 lb
RMC-40		400 (15.7)	400 (15.7)	331 (13.0)									315 (12.4)	355 (13.9)	—	47kg/ 104 lb

※As for handle, hexagonal wrench key is provided for model RMC-13 thru RMC-20, and special handle is supplied for model RMC-25 and above.

Model	Fig.	D ₁	Le	P	D ₂	K	D _p	d	t	H	E	Mass			
RMC-13B	2	125 (4.92)	125 (4.92)	88 (3.46)	100 (3.93)	112 (4.40)	M 6 (0.23)	24 (0.94)	55 (2.16)	—	—	6kg/ 13 lb			
RMC-16B		160 (6.29)	160 (6.29)	118 (4.64)								125 (4.92)	140 (5.51)	180 (7.08)	9kg/ 20 lb
RMC-20B		200 (7.87)	200 (7.87)	149 (5.86)								160 (6.29)	180 (7.08)	224 (8.81)	15kg/ 33 lb
RMC-25B		250 (9.84)	250 (9.84)	194 (7.63)								200 (7.87)	224 (8.81)	280 (11.0)	23kg/ 51 lb
RMC-32B		315 (12.4)	315 (12.4)	255 (10.0)								250 (9.84)	280 (11.0)	M10 (0.39)	35kg/ 77 lb
RMC-40B		400 (15.7)	400 (15.7)	331 (13.0)								315 (12.4)	355 (13.9)	—	62kg/ 137 lb

※The magnetic force is turned on and off with the T-shape handle (accessory) for the scroll chuck.

ELECTROMAGNETIC CHUCKS
CHUCK CONTROLLERS
PERMANENT MAGNETIC CHUCKS
PERMANENT ELECTROMAGNETIC CHUCKS
BLOCKS FOR MC
VACUUM CHUCKS
PROMELTA* SYSTEM
SINE BAR CHUCKS
BLOCKS HOLDERS, MINI CHUCKS
HOLDING TOOLS
MEASURING TOOL HOLDERS
MAGNETIC HOLDERS
MAGNETIC TOOLS