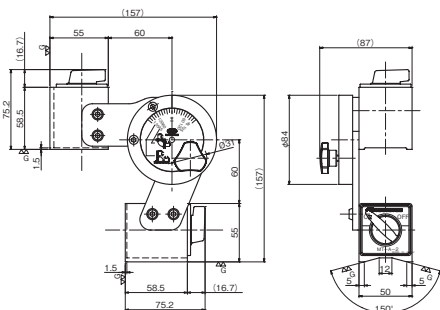


Model MT-A MAGSUPPORTER*



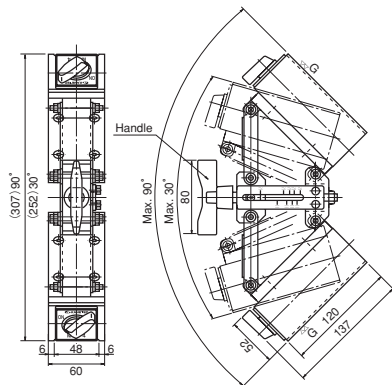
Holding power
800N

MT-A-2



Holding power
1500N

MT-A-4



[Application]

Suitable for mating and keeping jointing parts of iron plates or members during welding work.

[Features]

A powerful holding type by use of a high-performance permanent magnet.

MT-A-2

- Both inside and outside welding are possible.

<Note 1>

- Any desired holding angle can be set in a range of 45° and 135° (angle scale provided).
- ON/OFF function and V-groove provided.

MT-A-4

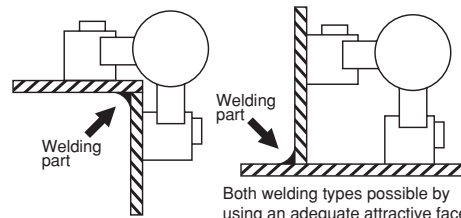
- Any desired holding angle can be set in a range of 30° and 90° (angle scale provided).
- Angle adjustment with a handle.
- ON/OFF function provided.

Model	Holding Power	Holder Dimensions			Holding Angle	Mass
		Width	Length	Height		
MT-A-2	800N (80kgf) × 2	50 (1.96)	60 (2.36)	55 (2.16)	45° - 135°	3.5kg / 7.71 lb
MT-A-4	1500N (150kgf) × 2	60 (2.36)	120 (4.72)	52 (2.04)	30° - 90°	5 kg / 11.0 lb

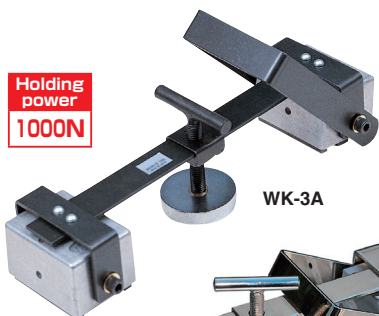
The holding power is based on a test piece of SS400, 10 mm thick, ground surface.

<Note 1> <Inside welding>

<Outside welding>

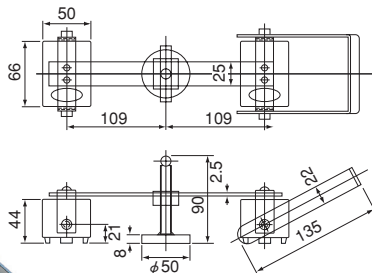


Model WK CLAMPER FOR WELDING



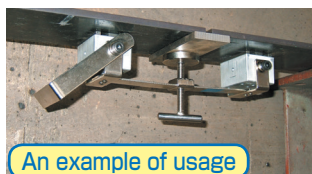
Holding power
1000N

WK-3A



WK-T3B

Holding power
1000N



An example of usage

[Application]

Suitable as a holding tool for welding on such work sites of construction, bridge, ship building and piping.

[Features]

- The magnet part has a minimum necessary free rotating angle range for easy mounting on workpieces.
- The exterior of the magnet holder part is made of aluminum to prevent adhesion of iron powder on the top and side faces.
- Model WK-T3B has a construction that is highly resistant to heat.
- These clampers have a large mechanical strength to withstand rough handling.

Model	Max. Temperature	Holding Power	Mass
WK-3A	60°C	1000N (100kgf) × 2	2.3kg / 5.07 lb
WK-T3B	180°C		

The holding power is based on a test piece of SS400, 10 mm thick, ground surface.

Model KM-W MAGNETIC HOLDER

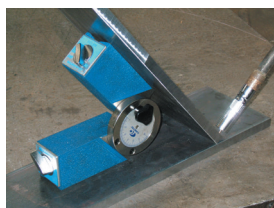
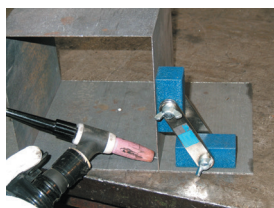
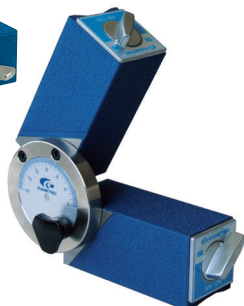


Holding Power
200N

KM-06W

Holding Power
1300N

KM-12W



[Application]

Suitable for temporary holding during drilling and assembly.

[Features]

- Two magnets combined for easy angle setting.
- An angle scale provided. (KM-12W)
- The magnetic force can be turned on and off by operating the lever. (KM-12W)
- The V-groove allows the holder to be attached to certain poles and curved surfaces in addition to the flat surface. (KM-12W)

Model	Holding Power	Holder Dimensions			Length	Holding Angle	Mass
		Width	Length	Height			
KM-06W	200N (20kgf)	26 (1.02)	60 (2.36)	25 (0.98)	129 (5.07)	Free	0.7kg / 1.54 lb
KM-12W	1300N (130kgf)	50 (1.96)	117 (4.60)	55 (2.16)	273 (10.75)	Free	4.5kg / 9.92 lb

※ The holding power is per holder on one side and based on a test piece of SS400, 10 mm thick, ground surface.



Precautions for use

These holders cannot be used for work where heat is applied for long hours. If the magnet is subjected to high temperature, its magnetic force will drop or be lost suddenly, causing the workpiece to come off the attractive face. Exercise caution.