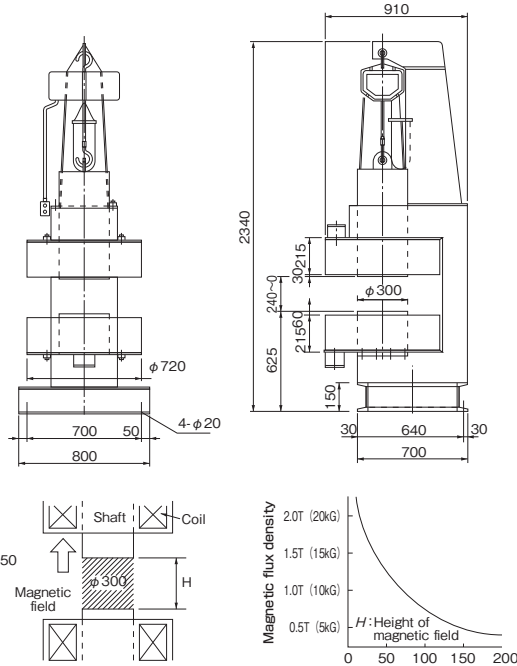


Model MFG MAGNETIC FIELD GENERATOR



MFG-300



<Controller>



LMT-230

[Application]

Produces a powerful magnetic field for magnetization of magnetic materials and seed magnetic field treatment in agriculture and gardening.

[Features]

- A simple configuration for installation within a floor area less than 1m².

■ Main unit

Model	Rating	Magnetic Flux Density	Mass
MFG-300	260 VDC·21A	Max.2T (20kG)	2800kg/6173 lb

■ Controller

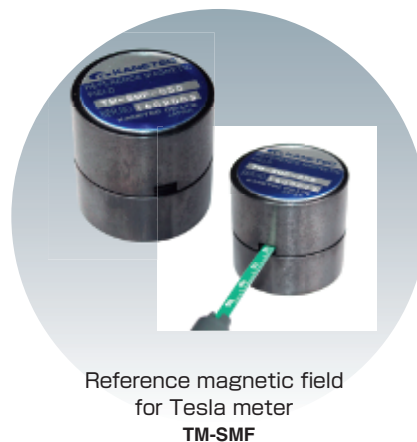
Model	Power Source	Output	Dimensions			Mass
			Width	Depth	Height	
LMT-230	3-phase 200 VAC	260 VDC·Max.30A	800 (31.5)	400 (15.7)	1800 (70.8)	250kg/551 lb

[mm (in)]

Measuring and controlling magnetic flux density



For details, see page 163.



For details, see page 164.



For details, see page 164.

MAGNETIC TOOLS & EQUIPMENT
FORMING OPERATION
LIFTING
MAGNET
MAGBONE*
CONVEYANCE EQUIPMENT
CHIP & SLUDGE
CONVEYANCE EQUIPMENT
ENVIRONMENTAL
EQUIPMENT
MAGNETIZER AND
DEMAGNETIZER
MAGNETIC EQUIPMENT
FOR CONVEYANCE
MAGNETIC
SEPARATORS
POWERFUL MAGNETIC
SEPARATORS
MEASURING
TOOLS
MEASURING
INSTRUMENTS
MAGNETIC
MATERIALS

DEMAGNETIZERS

How to Demagnetize and Precautions for Use **Caution: High temperature**

- Be sure to observe the working rate.
- Move a workpiece over the demagnetizing surface slowly in the direction of A-B. Note that the workpiece must be moved more than 20 cm away from the end of the demagnetizer to be demagnetized effectively. (Table type)
- When the tunnel type demagnetizer is used, pass the workpiece through the tunnel.
- The recommended time for passing the workpiece is about 5 seconds. (Recommended speed: 3 to 5 m/min)
- Some demagnetizers may be heated to very high temperature due to electromagnetic induction action. Exercise caution when handling them.
- If there is any other metal near the demagnetizer, it may also be heated. Keep such metal at least 5 cm away from the demagnetizing surface, and approx. 30 cm or more away when the tunnel type demagnetizer is used. However, if such separation is not possible, use plastics or nonmagnetic materials such as SUS304 for peripheral machinery.

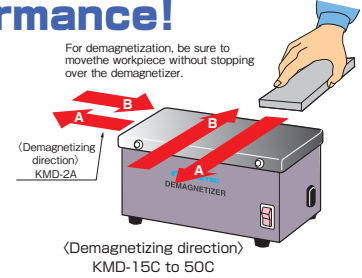
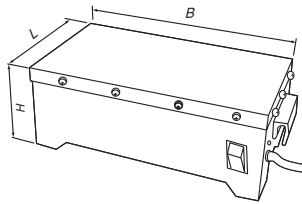
- The strong magnetic field produced by the demagnetizer may cause the CRT of computer and NC units to flicker. It will not adversely affect the operation of these equipment, but if it causes a recognition problem, such measures must be taken as keeping the CRT away from the demagnetizer or installing a magnetic shield on the CRT side.
 - The demagnetizers have large inductance and low power factor. Take influence on the power source into consideration.
 - The standard models cannot be used on 220 VAC, 50 Hz. For such application, please contact us.
 - The demagnetization effect varies largely depending the conditions of workpieces. In particular, some materials are very difficult to demagnetize depending on the condition of heat treatment.
 - If you send samples of workpieces, we will check the demagnetization effect for you.
- ※ Also see the Facsimile Communication Form (Selection Data) on page 172.

Model KMD TABLE TYPE DEMAGNETIZER

Compact but improved demagnetizing performance!



KMD-2A



[Application]

These demagnetizers produce an alternating magnetic field on the surface by use of an AC power source, through which workpieces are passed to remove the magnetism remaining on their surface.

[Features]

- Thick workpieces can be demagnetized effectively by moving both the face and the back over the demagnetizer.
- These demagnetizers have good heat radiation and can withstand continuous power-on condition.
- These demagnetizers are very powerful and can demagnetize steel materials that have properties similar to magnetic steel and have large magnetism holding power such as high-speed steel, bearing steel, nickel-chrome steel, spring steel, die steel, etc. that are usually difficult to demagnetize. (KMD-2A, KMD-30C to 50C)

■ If you plan to install the demagnetizer in the vertical direction or opposite direction, please contact us. [mm (in)]

Model	Power Source	Power Capacity (Current)	Working Rate	Effective Demag. Width	Dimensions			Mass
					B	L	H	
KMD-2A	3-phase 200 VAC, 50/60 Hz	2kVA (5.8A)	100%ED	160 (6.29)	453 (17.8)	245 (9.64)	140 (5.51)	30kg/66 lb
KMD-15C	Single-phase 100 VAC, 50/60 Hz	140VA (1.4A)		80 (3.15)	150 (5.90)	120 (4.72)	80 (3.15)	5kg/11 lb
KMD-20C		300VA (3.0A)		130 (5.11)	200 (7.87)			7kg/15 lb
KMD-30C	Single-phase 200 VAC, 50/60Hz	0.74kVA (3.7A)		180 (7.08)	300 (11.8)	200 (7.87)	120 (4.72)	19kg/41 lb
KMD-40C		1.04kVA (5.2A)		280 (11.0)	400 (15.7)			29kg/63 lb
KMD-50C	Single-phase 220 VAC, 60Hz	1.28kVA (6.4A)		380 (14.9)	500 (19.6)			37kg/81 lb

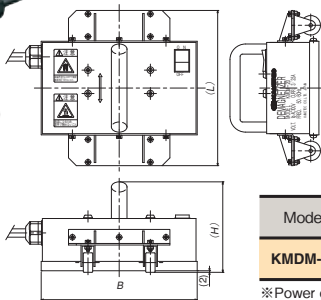
※Cable, 2 m, included. ※KMD-15C/20C come with a ground plug. ※A different-voltage type (special type) is also available.

Model KMDM WHEELED MOBILE DEMAGNETIZER

Mobile demagnetizer to easily demagnetize large steel plates!



KMDM-20



[Application]

Suitable for demagnetizing large steel plates that are difficult to move.

[Features]

- This is a demagnetizer that is moved instead of moving a workpiece. Therefore, the entire steel plate can be demagnetized.
- This demagnetizer is equipped with wheels and grip to ensure smooth movement over steel plate.

[mm (in)]

Model	Power Source	Power Capacity	Working Rate	Effective Demag. Width	Dimensions	Mass
KMDM-20	Single-phase 100 VAC, 50/60 Hz	300/250VA (3A/2.5A) (50/60Hz)	100%ED	130 (5.11)	B200 (7.87) × L199 (7.83) × H116 (4.56)	7kg/15.4 lb

※Power cord, 2 m, included. ※The power plug is of tracking resistance type.

Model KMD-K POWERFUL TABLE TYPE DEMAGNETIZER



KMD-K1

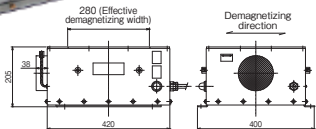
[Application]

This demagnetizer produces an alternating magnetic field on the surface by use of an AC power source, through which workpieces are passed to remove the magnetism remaining on their surface.

[Features]

- The large demagnetizing core produces a strong magnetic field, which makes this model work well on workpieces having properties and shapes that are difficult to demagnetize with the conventional table type.

[mm (in)]



Model	Power Source	Power Capacity	Working Rate	Effective Demag. Width	Dimensions			Mass
					W	L	H	
KMD-K1	Single-phase 200 VAC, 50/60 Hz	4.8/4.0kVA (24A/20A) (50/60Hz)	100% ED (when fan running)	280 (11.0)	420 (16.5)	400 (15.7)	205 (8.07)	80kg/176 lb

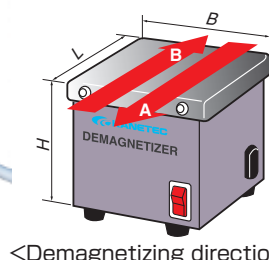
※Cable 2 m included. ※This demagnetizer is not equipped with an ON/OFF switch.

Model KMDY POWERFUL TABLE TYPE 3-PHASE AC DEMAGNETIZER

Strong magnetic field to enhance demagnetization effect!



KMDY-1



<Demagnetizing direction>

[Application]

Designed to remove or reduce residual magnetism by passing magnetized workpieces over the demagnetizing face.

[Features]

- The use of a 3-phase AC power source produces a more powerful magnetic field to effectively demagnetize workpieces having properties and shapes that are difficult to demagnetize with the conventional type.
- This demagnetizer especially exhibits its high-performance on ring-shaped workpieces such as bearing-assembled products and gears.
- The high heat dissipation design permits continuous operation.

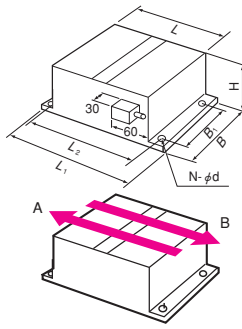
Model	Power Source	Power Capacity	Working Rate	Effective Demag. Width	Dimensions			Mass
					B	L	H	
KMDY-1	3-phase 200 VAC, 50/60 Hz	0.43/0.36kVA(2.15A/1.8A) (50/60Hz)	100%ED	140 (5.51)	200 (7.87)	200 (7.87)	150 (5.90)	14kg/30.8 lb

※Cable 2 m included.

Model KMDS DRIP-PROOF DEMAGNETIZER



KMDS-2A



<Demagnetizing direction>
KMDS

[Application]

These demagnetizers produce a strong magnetic field on the surface by use of an AC power source to demagnetize workpieces on a belt which runs over close to the surface.

[Features]

- The demagnetizers are of drip-proof construction. They will not fail if wetted by grinding fluid or cooling water.
- These can be incorporated in belt type grinders or other automatic and continuous grinders.
- The very strong demagnetizing force generated provides some margin for the clearance on the surface to allow a belt conveyor to run over the work face.



Precaution for use

Cool these demagnetizers by splashing water at normal temperature. 50% rated when used dry. (20 minutes power on and 20 minutes pause)

Model	Power Source	Power Capacity (Current)	Working Rate	Dimensions								Mass
				B	L	H	B ₁	N	φd	L ₁	L ₂	
KMDS-1A	Single-phase 200 VAC, 50/60 Hz	200VA (1A)	50% ED	150 (5.90)	206 (8.10)	100 (3.93)	-	2	8.5 (0.33)	260 (10.2)	235 (9.25)	9.0kg/19 lb
KMDS-2A		400VA (2A)	Continuous operation allowed when cooled by water.	200 (7.87)								41.0kg/90 lb
KMDS-3A		800VA (4A)	400 (15.7)	350 (13.7)								120 (4.72)

※Cable 2 m included. ※No switch is incorporated. ※A different-voltage type (special type) is also available.

Model KMD-F INVERTER CONTROLLED DEMAGNETIZER

**Less electric power and enhanced demagnetizing performance!
Stronger magnetic field produced than standard table type!**



KMD-F20

[Application]

These demagnetizers produce an alternating magnetic field on the surface by use of an AC power source, through which workpieces are passed to remove the magnetism remaining on their surface.

[Features]

- Demagnetization is carried out by varying (sweeping) a frequency lower than commercial frequencies from a lower point to a higher point. This design has improved the demagnetizing performance without increasing the amount of electricity to use.
- The demagnetizing section is of the same dimensions as the conventional table type demagnetizer (KMD-C). With the same output current (AC effective value) as the conventional model, the residual magnetism in workpieces (SKH material) can be reduced to one third.
- Workpieces are demagnetized by passing them over the demagnetizing surface at a constant speed, as with the conventional model.
- Continuous power on specification, but heat generated in the demagnetizing part is less than the conventional model.
- A demagnetizing output variable resistor is provided on the electrical unit that can vary the output current (AC effective value) in a range of 100% and 70%. This feature achieves demagnetization of low-carbon steel like S45C by less power (70%) than the conventional model.

	Model	Power Source	Power Capacity	Output	Working Rate	Effective Demag. Width	Dimensions			Mass
							Width	Length	Height	
Demagnetizing section	KMD-F20	Single-phase 100 VAC, 50/60 Hz	200VA (2.7A)	±20V MAX5A	100% ED	130 (5.11)	200 (7.87)	120 (4.72)	80 (3.15)	6.5kg/ 14 lb
Electrical unit	EHD-20A						140 (5.51)	175 (6.89)	260 (10.2)	4.5kg/9.9 lb
Demagnetizing section	KMD-F30	Single-phase 200 VAC, 50/60 Hz	400VA (3.4A)	±30V MAX7.5A	100% ED	180 (7.08)	300 (11.8)	200 (7.87)	120 (4.72)	21.0kg/ 46 lb
Electrical unit	EHD-30A						220 (8.66)	175 (6.89)	290 (11.4)	5.8kg/ 13 lb

The main unit is provided with a 2 m cable.

MAGNETIC TOOLS & EQUIPMENT : FOR MEDICAL OPERATION
LIFTING : MAGNET
MAGBOP® : MAGNET
MAGNETIC EQUIPMENT : CHIP & SLUDGE CONVEYANCE EQUIPMENT
MAGNETIZER AND ENVIRONMENTAL : EQUIPMENT
MAGNETIC EQUIPMENT : FOR CONVEYANCE
MAGNETIC : SEPARATORS
MEASURING : TOOLS
MAGNETIC MATERIALS : INSTRUMENTS

DEMAGNETIZERS

Model **KMDE** STATIONARY DEMAGNETIZER

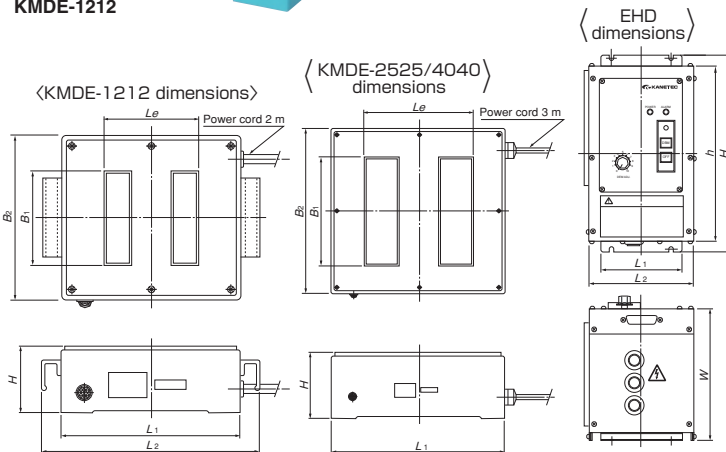
Control unit required additionally



KMDE-1212



EHD-W205B



[Application]

Used to eliminate residual magnetism in magnetized workpieces and tools. Pressing the demagnetizing button can complete demagnetization within a certain time without moving workpieces.

[Features]

- A magnetomotive force greater than the AC demagnetizer has been set, which works well on hard workpieces such as bearing steel and cutter steel that are difficult to demagnetize with conventional demagnetizers.
- Since workpieces are demagnetized while they are kept stationary on the demagnetizer, it is not necessary to move workpieces, press die materials, SK materials, etc. as when using an AC demagnetizer. Thus, this model is suitable for demagnetization of large workpieces (e.g. molds) that are difficult to move.
- Since demagnetization is carried out according to the attenuation pattern programmed in the control unit, electricity needs to be applied only during demagnetization, thus saving electricity.
- The demagnetizer itself and the control unit are installed separately. Thus, they can be installed in an easy-to-operate place.

A larger special demagnetizer is also available.

Main unit

[mm (in)]

Model	Dimensions						Demagnetizing Area	Withstand Load	Electrical Rating	Working Rate	Mass
	L ₁	L ₂	Le	B ₁	B ₂	H					
KMDE-1212	230 (9.05)	280 (11.0)	120 (4.72)	120 (4.72)	210 (8.26)	85 (3.34)	120(4.72) × 120(4.72)	20kg/ 44 lb	180 VDC/ 2.1A	25% ED	15kg/ 33 lb
KMDE-2525	400 (15.7)	—	250 (9.84)	250 (9.84)	380 (14.9)	150 (5.90)	250(9.84) × 250(9.84)	80kg/ 176 lb	180 VDC/ 4.8A	25% ED	75kg/ 165 lb

*The withstand load is based on a uniform load in the work area.

Main unit

[mm (in)]

Model	Dimensions					Demagnetizing Area	Withstand Load	Electrical Rating	Working Rate	Mass
	L ₁	Le	B ₁	B ₂	H					
KMDE-4040	640 (25.2)	400 (15.7)	400 (15.7)	640 (25.2)	220 (8.66)	400(15.7) × 400(15.7)	300kg/ 661 lb	180 VDC/ 9A	25% ED	350kg/ 771 lb

*The withstand load refers to uniform load in the work area.

Applicable control unit (KMDE-1212/2525)

[mm (in)]

Model	Dimensions					Power	Output	Mass
	L ₁	L ₂	W	H	h			
EHD-W205B	110 (4.33)	140 (5.51)	175 (6.89)	260 (10.2)	230 (9.05)	Single-phase 200 VAC	180 VDC/ 5A	4.7kg/ 10 lb

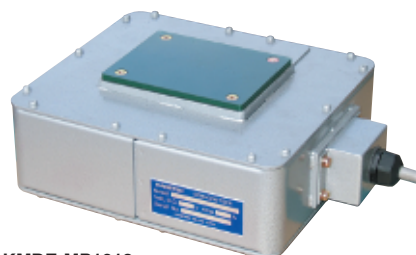
Applicable control unit (KMDE-4040)

[mm (in)]

Model	Dimensions					Power	Output	Mass
	L ₁	L ₂	W	H	h			
EHD-W210B	190 (7.48)	220 (8.66)	175 (6.89)	290 (11.4)	250 (9.84)	Single-phase 200 VAC	180 VDC/ 10A	6kg/ 13 lb

Model **KMDE-MP** SINGLE POLE STATIONARY DEMAGNETIZER

Control unit required additionally



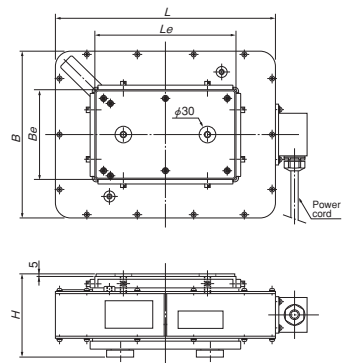
KMDE-MP1013

[Application]

Recommended for demagnetization of thick workpieces and demagnetization of large workpieces partially. Pressing the demagnetizing button can complete demagnetization within a certain time without moving workpieces.

[Features]

- A strong magnetic field is produced in a wide area to make this model suitable for demagnetization of thick workpieces and demagnetization of large workpieces partially.
- Since demagnetization is carried out according to the attenuation pattern programmed in the control unit, electricity needs to be applied only during demagnetization, thus saving electricity.
- The demagnetizer itself and the control unit are installed separately. Thus, they can be installed in an easy-to-operate place.



[mm (in)]

Model	Dimensions			Demagnetizing Area	Electrical Rating	Working Rate	Mass	Applicable Control Unit
	L	B	H					
KMDE-MP1013	240(9.44)	210(8.26)	110(4.33)	100(3.93) × 130(5.11)	180 VDC/2.1A	25% ED	20kg/ 44 lb	EHD-W205B
KMDE-MP1625	390(15.3)	300(11.8)	150(5.90)	160(6.29) × 250(9.84)	180 VDC/4.7A		75kg/165 lb	
KMDE-MP2040	580(22.8)	380(14.9)	185(7.28)	200(7.87) × 400(15.7)	180 VDC/7.8A		170kg/375 lb	

*KMDE-MP1013 comes with a 2 m power cord and other models with a 3 m cord.

Model **KMDE-V** STATIONARY DEMAGNETIZER FOR RING WORKPIECE

Workpieces need not be turned over; work efficiency enhanced!



KMDE-V2525

An example of demagnetization of special ring-shaped workpiece



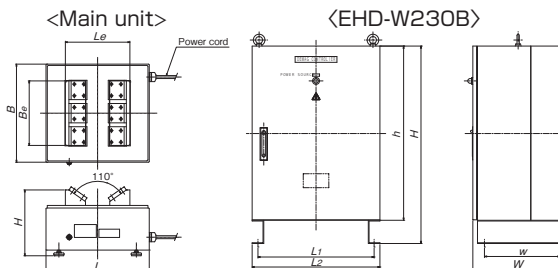
Control unit required additionally

[Application]

Suitable for demagnetization of ring-shaped workpieces.

[Features]

- One step of operation completes the demagnetizing work. Workpieces need not be turned over, thus eliminating a fear of damaging the workpieces.
 - The protective plates provided on the demagnetizing V-faces prevent damage to workpieces. Workpieces of various shapes can be demagnetized properly by changing the protective plates.
 - The demagnetizer itself and the control unit are installed separately. Thus, they can be installed in an easy-to-operate place.
- ※ A drip-proof type is available optionally. Please contact us.



Main unit

[mm (in.)]

Model	Dimensions			Demagnetizing Area Be×Le	Applicable Ring Size Diameter Width	Electrical Rating	Working Rate	Mass	Applicable Control Unit
	B	L	H						
KMDE-V2525	380 (14.9)	400 (15.7)	250 (9.84)	250 (9.84) × 250 (9.84)	φ 150 – 220 φ 350 (8.66)	180 VDC /9A	10% ED	90kg/ 198 lb	EHD- W210B
KMDE-V4040	640 (25.1)	640 (25.1)	390 (15.3)	400 (15.7) × 400 (15.7)	φ 250 – 350 φ 600 (13.7)	180 VDC /26A		450kg/ 992 lb	EHD- W230B

※ KMDE-V2525 comes with a 3 m power cord and KMDE-V4040 with a 5 m cord.

Applicable control unit

[mm (in.)]

Model	Dimensions						Power	Output	Mass
	L ₁	L ₂	W	w	H	h			
EHD-W210B	190 (7.48)	220 (8.66)	175 (6.88)	—	290 (11.4)	250 (9.84)	Single-phase 200 VAC	180 VDC /10A	6kg/ 13.2 lb
EHD-W230B	500 (19.6)	550 (21.6)	400 (15.7)	325 (12.7)	850 (33.4)	750 (29.5)	3-phase 200 VAC	180 VDC /30A	48kg/ 105 lb

※ EHD-W230B comes with a dedicated controller.

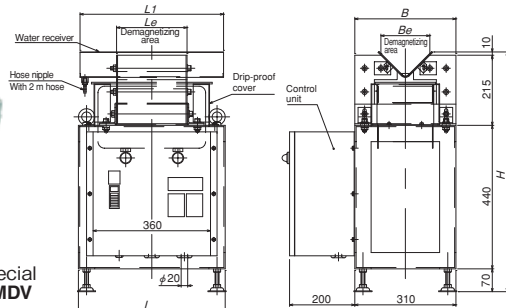
※ For the dimensions of EHD-W210B, see "EHD dimensions" on page 121.

Model **KMDV** V-TYPE DEMAGNETIZER



An example of special fabrication of KMDV

Demagnetization of ring-shaped workpieces and hardened materials!



[Application]

Used to remove residual magnetism in magnetized ring-shaped workpieces.

[Features]

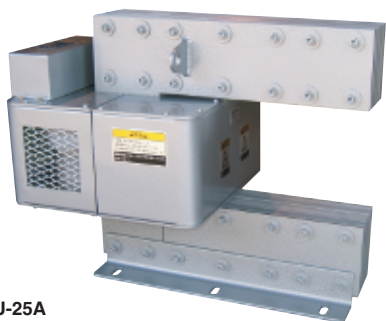
- The V-shaped core design ensures effective demagnetization of ring-shaped workpieces.
- The strong magnetic field produced enables it to demagnetize hardened materials that are difficult to demagnetize with conventional demagnetizers.
- A water receiver provided in the demagnetizing area enables it to demagnetize wet workpieces also.

[mm (in.)]

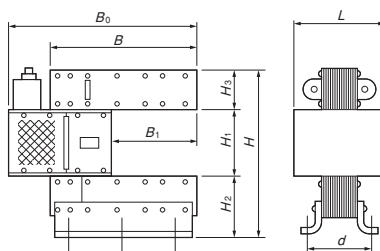
Model	Power Source	Source Capacity	Working Rate	Demagnetizing Area		Dimensions				Mass
				Be×Le		L	L ₁	B	H	
KMDV-15	Single-phase 200 VAC, 50/60 Hz	6kVA (30A)	30% ED, 30 minutes max.	150 (5.90) × 216 (8.50)		450 (17.7)	440 (17.3)	310 (12.2)	735 (28.9)	170kg/374 lb

Demagnetization is turned on with a foot switch and turned off automatically by the timer. (Timer setting 60 seconds max.)

Model **KMDU** U-TYPE DEMAGNETIZER



KMDU-25A



[Application]

Suitable for demagnetizing bobs and die sets. Since its magnetic flux alternates vertically, this model is also recommended where long and irregularly shaped workpieces need to be demagnetized uniformly. Further, this model can easily be incorporated in a conveyance system.

[Features]

- Easy to incorporate in a conveyance system and easy to remove and relocate.

[mm (in.)]

Model	Power Source	Source Capacity (Current)	Working Rate	Dimensions										Mass	
				B ₀	B	B ₁	H	H ₁	H ₂	H ₃	L	d			
KMDU-25A	Single-phase 200 VAC, 50/60 Hz	14kVA (70A)	30% ED,	630 (24.8)	500 (19.6)	250 (9.84)	480 (18.9)	200 (7.87)	150 (5.90)	130 (5.11)	350 (13.7)				180kg/ 397 lb
KMDU-50A	Single-phase 220 VAC, 60 Hz	30kVA (150A)	30 minutes max.	940 (37.0)	770 (30.3)	500 (19.6)	715 (28.2)	300 (11.8)	215 (8.46)	200 (7.87)	420 (16.5)	270 (10.6)		600kg/1323 lb	

※ A different-voltage type (special type) is also available.

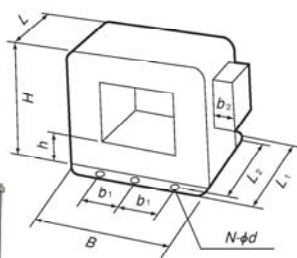
MAGNETIC TOOLS & EQUIPMENT
FORWELDING OPERATION
LIFTING
MAGNET
MAGBONE
MAGNETIC EQUIPMENT
CHIP & SLUDGE
CONVEYANCE EQUIPMENT
ENVIRONMENTAL
EQUIPMENT
MAGNETIZER AND
DEMAGNETIZER
MAGNETIC EQUIPMENT
FOR CONVEYANCE
MAGNETIC
SEPARATORS
POWERFUL MAGNETIC
SEPARATORS
MEASURING
MAGNETIC
MATERIALS
MEASURING
INSTRUMENTS
TOOLS

DEMAGNETIZERS

Model KMDT TUNNEL TYPE DEMAGNETIZER



KMDT-10A



[Application]

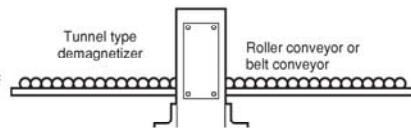
These demagnetizers can meet such demagnetizing needs as passing a bucket containing a large amount of small workpieces and being incorporated in a line for continuous demagnetizing by conveyor transfer. Various sizes are available to meet such requirements. They can also be used to demagnetize long workpieces and irregularly shaped workpieces.

[Features]

- The high heat radiation design enables continuous operation.
- A uniform demagnetizing area can be obtained.
- Almost uniform demagnetization can act on the whole periphery of passing workpieces.

An example of usage

Caution: The conveyor must be made of nonmagnetic stainless steel or plastic.



[mm (in.)]

Model	Power Source	Source Capacity (Current)	Working Rate	Gate		Dimensions										Mass	Applicable Cable 2-core (2RNCT)
				Width	Height	B	L	H	b ₁	N	φd	b ₂	L ₁	L ₂	h		
KMDT-10A	Single-phase 200 VAC, 50/60 Hz	0.46kVA (2.3A)	100% ED	100	80	210	103	205	60	4	9.5 (0.37)	40 (1.57)	153	133	70	15kg/33.3 lb	1.25mm
KMDT-16A		1.6kVA (8A)		160	125	280	144	245	80				12 (0.47)	204 (8.03)	180 (7.08)		
KMDT-25A	Single-phase 220 VAC, 60 Hz	6kVA (25A)		250	200	400	224	350	150	6	14 (0.55)	70 (2.75)	284 (11.1)	260 (10.2)	75 (2.95)	80kg/177 lb	5.5mm
KMDT-40A		11kVA (55A)		400	315	540	304	460	200				384 (15.1)	350 (13.7)	140kg/308 lb		

*The cable and switch are not included. *A different-voltage type (special type) is also available.

Model KMDTR TUNNEL TYPE DEMAGNETIZER

Made to order

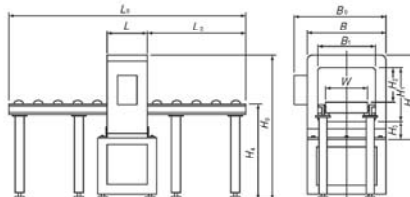


KMDTR-40A

Roller conveyor included

[Application]

This model allows large and heavy workpieces to pass through the demagnetizing area at a nearly constant speed, though manual feed, on a roller conveyor. No extra manpower is required for repeating work, thus enhancing the demagnetizing efficiency.



Roller withstand load

Model	Per Roller
KMDTR-16A	8kg/17.6 lb
KMDTR-25A	8kg/17.6 lb
KMDTR-40A	12kg/26.4 lb

With roller conveyor

Model	Power Source	Source Capacity (Current)	Working Rate	Dimensions													Mass
				Conveyor		Demagnetizer			Major dimensions								
L ₀	W	L	B	H	L ₁	B ₀	B ₁	H ₀	H ₁	H ₂	H ₃	H ₄	H ₅				
KMDTR-16A	Single-phase 200 VAC, 50/60 Hz	1.6kVA (8A)	100% ED	2000 (78.7)	90	144	280	245	928	320	160	720	125	60	60	80kg/176.4 lb	
KMDTR-25A					150	224	400	350	888	470	250	795	200	120	75		135kg/297.6 lb
KMDTR-40A	Single-phase 220 VAC, 60 Hz	11kVA (55A)		305	304	540	460	848	610	400	905	315	235	195kg/429.9 lb			

*A different-voltage type (special type) is also available. *The conveyor load capacity varies depending on workpieces. Please contact us.

Model KMDTC TUNNEL TYPE DEMAGNETIZER

Made to order



KMDTC-25A

Belt conveyor included

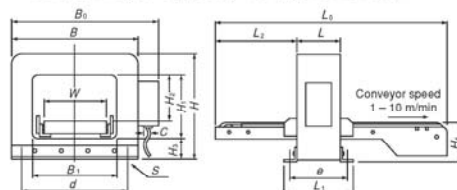
An example of fabrication

Mounting base optional

[Application]

Recommended where a large amount of workpieces such as parts needs to be demagnetized continuously during transfer between processes. Various types can be selected according to the mass and amount of workpieces.

Belt conveyor capacity 10 kg (horizontal)



With belt conveyor

Model	Power Source	Source Capacity (Current)	Working Rate	Motor	Dimensions													Mass					
					Conveyor		Demagnetizer			Major Dimensions													
L ₀	W	L	B	H	L ₁	L ₂	B ₀	B ₁	H ₁	H ₂	H ₃	H ₄	C	d	e	s							
KMDTC-10A	Single-phase 200 VAC, 50/60 Hz	0.46kV (2.3A)	100% ED	25W	800	70	103	210	205	153	200	250	100	80	30	70	120	φ12	120	133	4-φ95(3.74)	25kg/55.1 lb	
KMDTC-16A		1.6kVA (8A)			1000	120	144	280	245	204	400	320	160	125	50	60	135	φ16	160	180	4-φ12(0.47)	44kg/97.0 lb	
KMDTC-25A	Single-phase 220 VAC, 60 Hz	6kVA (30A)			200	224	400	350	284	500	470	250	200	125	75	150	φ20 (0.78)	150(5.90)	260 (10.2)	220	260	6-φ12(0.47)	97kg/213.8 lb
KMDTC-40A		11kVA (55A)			300	304	540	460	384	19.6	610	400	315	240	(2.95)	(5.90)	φ26 (1.02)	200(7.87)	350 (13.7)	220	350	6-φ14(0.55)	165kg/363.8 lb

*Depending on workpieces, they may be pulled back in some cases by a demagnetizing force. In such a case, a belt equipped with special scrapers need to be used. Please consult with us in advance. *A different-voltage type (special type) is also available. *The conveyor load capacity varies depending on workpieces. Please contact us.

Model KMDP PEN TYPE DEMAGNETIZER



For both AC and DC

[Application]

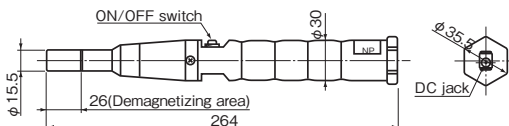
Recommended where magnetism on the surface of metallic workpieces in general needs to be reduced in a limited area or locally.

This is useful to completely eliminate weak magnetism that remains locally in jigs and workpieces after they have been demagnetized by a large demagnetizer. It is also useful for demagnetizing cutters of machines and punches and guide pins of press dies while they are mounted.

[Features]

- Compact and powerful as a rare earth magnet having strong magnetic force is used at the end of the rotary magnetic field.
- A re-chargeable battery is used as a power source of the motor. No need to replace the battery. Power can also be supplied with the included AC adapter if the battery has reached its life.
- Simple construction and simple appearance.
- An environment friendly nickel hydrogen battery is used.

KMDP-16A



Model	Battery Rating	Mass
KMDP-16A	2.4V2000mAh	0.3kg/0.6lb

※The AC adapter (input 100 VAC, 50/60 Hz, output 2.7 VDC, 0.5 A, cord length 1.9 m) is included as a standard accessory.

Model KMDH HANDY TYPE DEMAGNETIZER



[Application]

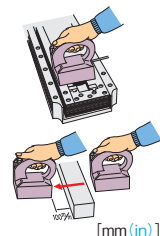
Suitable for demagnetizing tools such as drills, cutting tools, cutters and magnetized slide calipers. These can also be used for demagnetizing large steel plates partially.

[Features]

- Compact and handy.

How to use

- The demagnetizer is turned on while the pushbutton switch is held pressed and turned off when you release it.
- The button must be held pressed while demagnetizing is going on.
- Turn off the demagnetizer after it has been moved more than 100 mm away from the demagnetized workpiece.



KMDH-5A

Working rate 70% ED (Power on 7 minutes and pause 3 minutes)

Model	Power Source	Source Capacity	Effective Demag. Width	Dimensions			Mass
				Width	Length	Height	
KMDH-5A	Single-phase 100 VAC, 50/60 Hz	70VA	50 (1.96)	86 (3.38)	102 (4.01)	119 (4.68)	2.3kg/5.1 lb

※The height is up to the grip. ※2 m cord is included. The plug is provided with a ground pin. ※A different-voltage type (special type) is also available. ※The power plug is of tracking resistance type.

Model KMDH-P PINPOINT TYPE DEMAGNETIZER

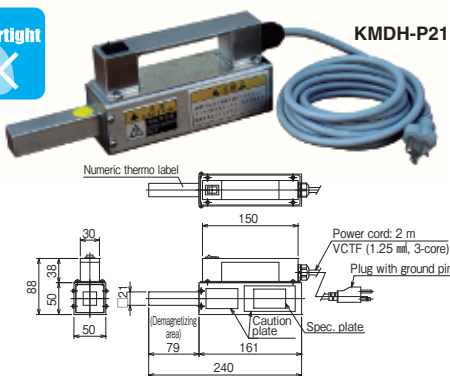


[Application]

An alternating field is produced at the tip and bottom by an AC power source, which is brought into contact with a workpiece and then moved away. Then the magnetic flux density on the surface is reduced locally. This demagnetizer works effectively in demagnetizing molds and large materials partially.

[Features]

- Since this demagnetizer produces a strong magnetic field at the tip, it can effectively demagnetize places that are difficult to demagnetize with a conventional table type or handy type demagnetizer.
- The magnetizing effect is powerful, but the attracting force is not strong. Thus, the tip part can be brought into contact with a small area for easy handling.
- A thermo label is attached to the tip part, which warns a temperature rise due to frequent, repeated use. When the thermo label appears, stop using the demagnetizer until it goes out.



KMDH-P21

Model	Power Source	Source Capacity	Working Rate	Mass
KMDH-P21	Single-phase 100 VAC, 50/60 Hz	450VA	20% ED, 10 seconds max.	3kg/6 lb

※The power plug is of tracking resistance type.

Model KMDC TOOL DEMAGNETIZER



Demagnetization of magnetized tools such as drills, reamers and cutters and measuring instruments!

How to use

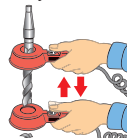
- Power is applied only while the pushbutton switch is held pressed for demagnetization.
- Turn off the demagnetizer after moving it away more than 100 mm from the demagnetized object.
- If the demagnetizer is turned on frequently, the body temperature rises. If the temperature rises too high, it is indicated by an overheat alarm seal. Stop using it for a while.

[Application]

Easy demagnetization of a wide variety of magnetized objects including tools such as drills, milling cutters, reamers and cutters, round workpieces and measuring instruments such as slide calipers.

[Features]

- Light weight, compact and easy operation.
- Fine chips sticking by attraction to drills, reamers, etc. can be removed while they remain mounted on machines.



KMDC-40

Model	Power Source	Source Capacity	Working Rate	Remote Operation	Demag. Hole Dia.	Mass
KMDC-40	Single-phase 100 VAC, 50/60 Hz	75VA	20% ED, 1 minute max.	Momentary input by use of pushbutton	φ 40 (1.57)	0.9kg/2 lb

※Cord length 2.5 m (with curled cord). ※The power plug is of tracking resistance type.

MAGNETIC TOOLS & EQUIPMENT
FORWARD OPERATION

LIFTING
MAGNET

MAGBONE

MAGNETIZER AND ENVIRONMENTAL
DEMAGNETIZER

ENVIRONMENTAL
EQUIPMENT

CHIP & SLUDGE
CONVEYANCE EQUIPMENT

MAGNETIZER AND ENVIRONMENTAL
DEMAGNETIZER

MAGNETIC EQUIPMENT
FOR CONVEYANCE

MAGNETIC
SEPARATORS

POWERFUL MAGNETIC
SEPARATORS

MEASURING
TOOLS

MEASURING
INSTRUMENTS

MAGNETIC
MATERIALS