

# MAGNETIC SEPARATORS

## Model KGM / KGM-VM MAGNETIC BAR (STANDARD/POWERFUL)



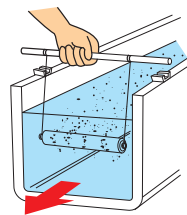
KGM-25

**Caution:**  
To use these magnetic bars in liquids (e.g. water) other than oil, please specify "enclosed type."

### Standard type

Model	Length	Diameter	Surface Max. Magnetic Flux Density	Working Temp. Upper Limit	Mass
KGM-20	194 (7.63)	φ25 (0.98)	130mT (1300G)	Approx. 60°C (140° F)	0.5 kg/1.10 lb
KGM-25	244 (9.60)				0.55kg/1.21 lb
KGM-30	295 (11.6)				0.65kg/1.43 lb
KGM-35	343 (13.5)				0.8 kg/1.76 lb
KGM-40	393 (15.4)				0.9 kg/1.98 lb
KGM-45	442 (17.4)				1.0 kg/2.20 lb
KGM-50	493 (19.4)				1.1 kg/2.42 lb
KGM-55	543 (21.3)				1.24kg/2.73 lb
KGM-60	592 (23.3)				1.34kg/2.95 lb

※The tapped holes are 2-M5, depth 6. ※Casing material: SUS304



A magnetic bar used in a grid type magnet. This bar is available individually also. A round bar type having a tapped hole on each end for mounting. Casing is made of stainless steel. These bars come in various lengths for use in a wide range of applications.

An example of usage in passage

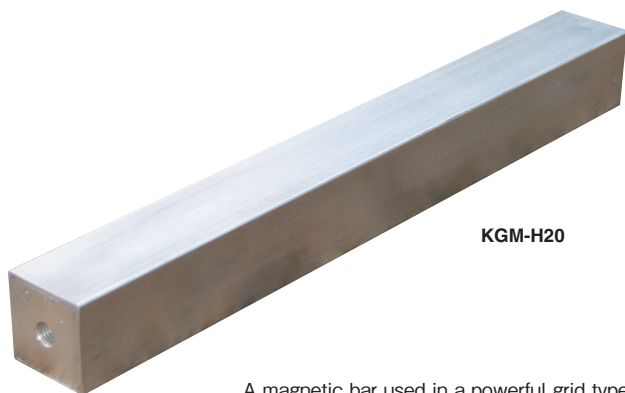
### Powerful type

### Usable in liquid

Model	Length	Diameter	Surface Max. Magnetic Flux Density	Working Temp. Upper Limit	Mass
KGM-VM10	95 (3.74)	φ25 (0.98)	500mT (5000G)	Approx. 80°C (176° F)	0.7kg/1.54 lb
KGM-VM15	145 (5.70)				0.9kg/1.98 lb
KGM-VM20	194 (7.63)				1.1kg/2.42 lb
KGM-VM25	244 (9.60)				1.2kg/2.64 lb
KGM-VM30	295 (11.6)				1.4kg/3.08 lb
KGM-VM35	343 (13.5)				1.6kg/3.52 lb
KGM-VM40	393 (15.4)				1.7kg/3.74 lb
KGM-VM50	493 (19.4)				1.9kg/4.18 lb
KGM-VM60	592 (23.3)				2.1kg/4.62 lb

※The tapped holes are 2-M6, depth 7. ※Casing material: SUS304

## Model KGM-H POWERFUL SQUARE MAGNETIC BAR



KGM-H20

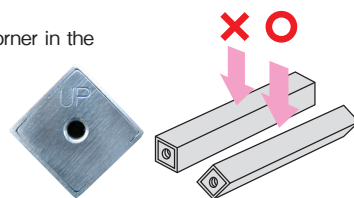
A magnetic bar used in a powerful grid type magnet. This bar is available individually also. Casing is made of stainless steel.

### How to use

Set a square magnetic bar with its corner in the flow direction of materials as shown.

**Not allowed in liquid**

※The corner marked by "UP" must be up.

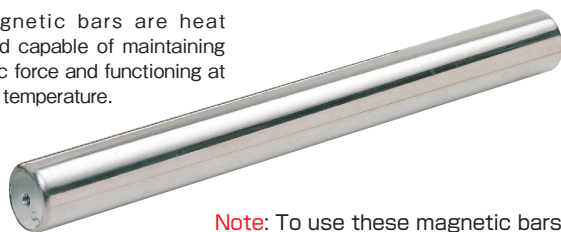


Model	Length	Side Length	Surface Max. Magnetic Flux Density	Working Temp. Upper Limit	Mass
KGM-H20	195 (7.67)	22 (0.86)	320mT (3200G)	Approx. 60°C (140° F)	0.6 kg/1.32 lb
KGM-H25	245 (9.64)				0.75kg/1.65 lb
KGM-H30	295 (11.6)				0.9 kg/1.98 lb
KGM-H35	345 (13.5)				1.1 kg/2.42 lb
KGM-H40	395 (15.5)				1.2 kg/2.64 lb

※The tapped holes are 2-M5, depth 6. ※Casing material: SUS304

## Model KGM-T HEAT-RESISTANT MAGNETIC BAR

These magnetic bars are heat resistant and capable of maintaining the magnetic force and functioning at certain high temperature.



Model	Length	Diameter	Surface Max. Magnetic Flux Density	Working Temp. Upper Limit	Mass
KGM-T20	194 (7.63)	φ25 (0.98)	130mT (1300G)	Approx. 150°C (302° F)	0.5 kg/1.10 lb
KGM-T25	244 (9.60)				0.55kg/1.21 lb
KGM-T30	295 (11.6)				0.65kg/1.43 lb

※The tapped holes are 2-M5, depth 6. ※Casing material: SUS304

**Note:** To use these magnetic bars in liquids (e.g. water) other than oil, please specify "enclosed type."

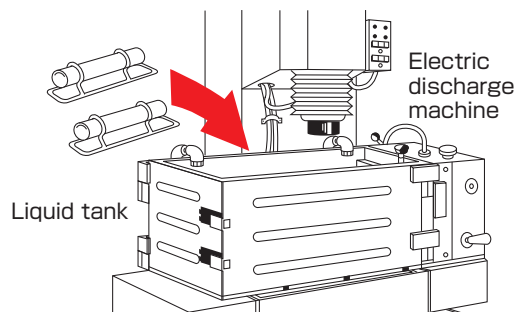
## Model KGM-S MAGNETIC BAR WITH STAND



KGM-S20

### [Application]

This magnetic bar is equipped with a stand which permits it to be placed in a tank to remove iron in liquid. We recommend that the bar be packed in a polyethylene or vinyl bag beforehand for convenience of removal of iron sticking to the bar.



Model	Magnetic Bar			Stand			Mass
	Length	Dia.	Surface Max. Magnetic Flux Density	Height	Depth	Width	
KGM-S20	194 (7.63)	φ25 (0.98)	130mT (1300G)	54 (2.12)	60 (2.36)	170 (6.69)	約0.6kg/1.32 lb

※outer material : SUS304