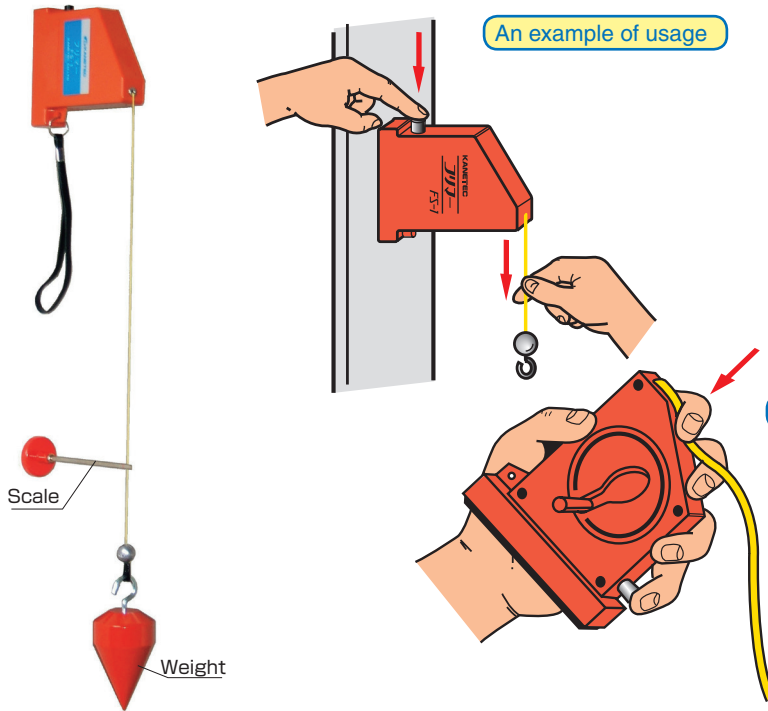


Model FS MAGNETIC PLUMB BOB FRIMA*

Plumb bob with strong magnet (Light weight type)



[Application]

A plumb bob incorporating a powerful magnet suitable for use on building and bridge construction and shipbuilding sites. As the plumb bob is held by the magnet, one person can take accurate measurements easily. Easy to carry and enhanced safety. A plastic case is employed to reduce the weight.

[Features]

- The case is made of reinforced plastic to provide both light weight and durability.
- A large diameter reel to speed up winding.
- A ratchet mechanism is provided for better operability. A safety stopper is also incorporated to absorb unexpected shocks.
- A scale of magnet with increased magnetic force is included.

Parts available individually

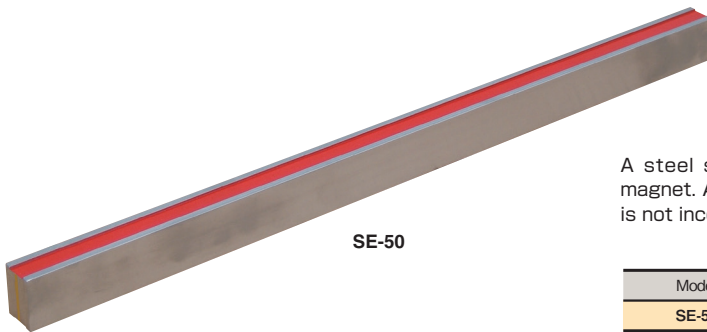
Wind up while lightly holding down the string with a finger to prevent tangling of the string.

[mm (in)]

Model	Resistance to Slide	Dimensions	Mass		Accessories		
			Body	Plumb	Plumb	Scale	String
FS-1	60N(6kgf)	104(4.09)×120(4.72)×25(0.98)	350g/0.8 lb	760g/1.7 lb	φ55(2.16)×86.5(3.40)	φ36.5(1.43)×130(5.11)	10m(393.7)

※The resistance to slide is based on a test piece of mill scale iron plate, 9 mm or thicker.

Model SE PERMANENT MAGNETIC STRAIGHT EDGE

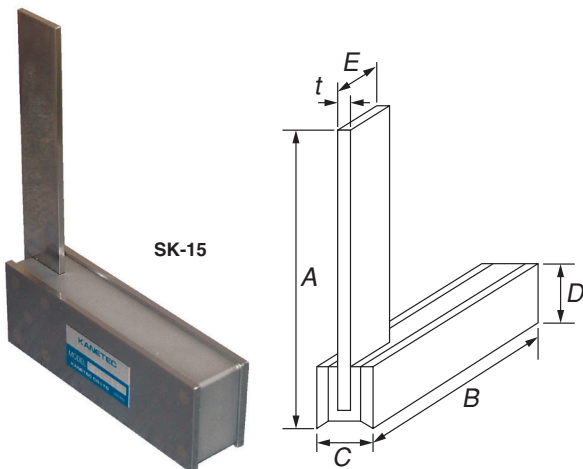


A steel straight edge incorporating a magnet. A magnetic force on/off function is not incorporated.

[mm (in)]

Model	Effective Length	Height	Width	Mass
SE-50	500(19.6)	30(1.18)	20(0.78)	2kg/4.4 lb

Model SK MAGSQUARE



A square with one of its orthogonal reference planes magnetized. It is held by the magnet on an inclined face, rear face and other face.

[mm (in)]

Model	Dimensions						Squareness	Mass
	A	B	C	D	E	t		
SK-10	100 (3.93)	70 (2.75)	20 (0.78)	40 (1.57)	20 (0.78)	2.5 (0.09)	0.02+ $\frac{A}{10000}$	0.5kg/1.1 lb
SK-15	150 (5.90)	120 (4.72)	28 (1.10)		24 (0.94)	3.0 (0.11)		1.0kg/2.2 lb
SK-20	200 (7.87)	150 (5.90)			29 (1.14)	4.0 (0.15)		1.3kg/2.8 lb
SK-25	250 (9.84)	160 (6.29)	20 (0.78)		32 (1.26)			1.2kg/2.6 lb

MAGNETIC TOOLS & EQUIPMENT
FOR MEASUREMENT OPERATION
LIFTING
MAGNET
MAGBORE*
MAGNETIC EQUIPMENT
FOR CONFORMANCE EQUIPMENT
CHIP & SLUDGE
CONFORMANCE EQUIPMENT
ENVIRONMENTAL
EQUIPMENT
MAGNETIZER AND
DEMAGNETIZER
MAGNETIC EQUIPMENT
FOR CONFORMANCE
MAGNETIC
SEPARATORS
FOR CONFORMANCE
MEASURING
TOOLS
MEASURING
INSTRUMENTS
MAGNETIC
MATERIALS